



Low PIM Termination

RTL042543102-D

4.3-10 Male, -160dBc, 25W, Rectangular

Rev 3

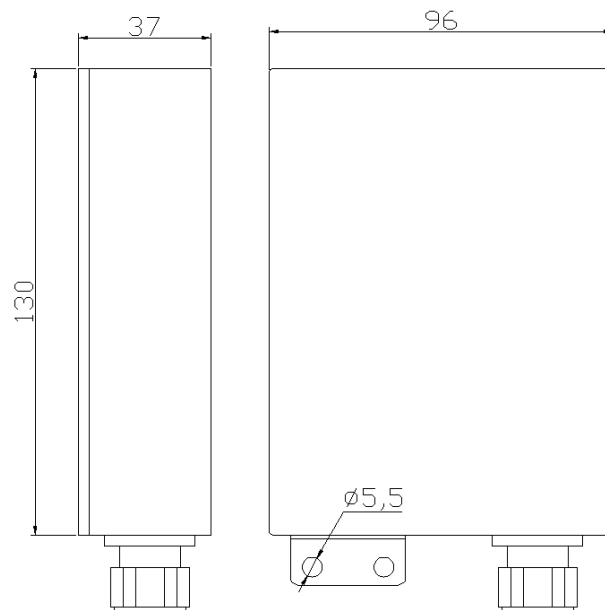
Electrical & Environmental

| | |
|--------------------|---|
| Impedance | 50 ohm |
| Frequency Range | 380-4000 MHz |
| Return Loss | 18 dB min@380-600MHz, 20 dB min@600-4000 MHz |
| Input Avg Power | 25W@ 25°C |
| PIM (Intermod) | -160dBc min (with 2×20W tones at 850/2600MHz @25°C) |
| Ingress Protection | Indoor use only |
| Operating Temp | -40°C-+75°C |

Mechanical

| | |
|----------------|-----------------------------|
| Connector | 4.3-10 male |
| Connector Body | Brass, ternary alloy plated |
| Center Contact | Silver plated brass |
| Dielectric | PTFE |
| Housing | Aluminum, anodized black |

Dimensions(mm)



25W PIM Load