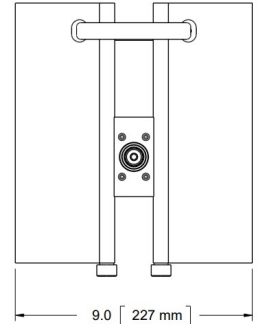
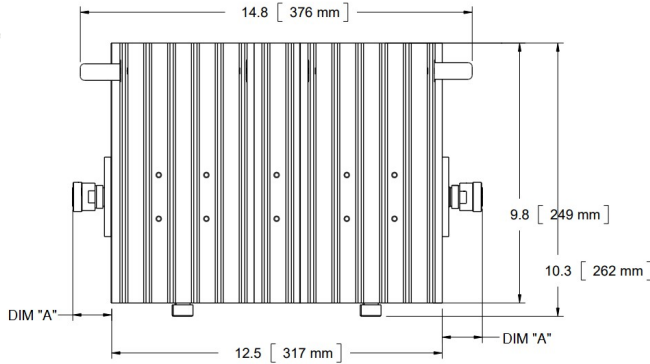
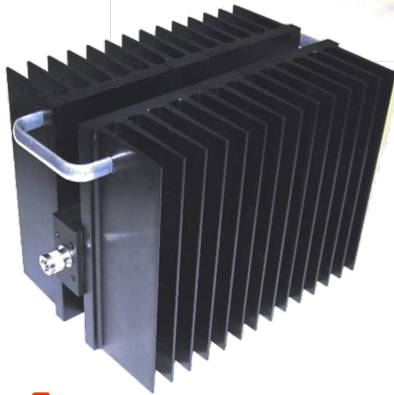


Fixed Coaxial Attenuator

WA70

DC – 2.5 GHz (Usable to 3 GHz)

1000 WATTS



Features

Type N or DIN 7/16 stainless steel M/F connectors per MIL-STD-348A, interface dimensions mate nondestructively with MIL-PRF-39012. Designed to meet MIL-DTL-3933 environmental specification. DIN 7/16 connector, conforms to DIN 47223, IEC 169-4, VG 95250, CECC 22190.

Specifications

Nominal Impedance: 50 ohms.

Frequency Range: DC to 2.5 GHz (Usable to 3.0 GHz)

Nominal dB Values: 20, 30, 40 dB

Power Coefficient: < 0.0001 dB/dB/W;
Unidirectional in power.

Power Rating: 1000 W maximum average power to +25°C ambient temperature, de-rated linearly to 100 W at +125°C. 10 kW peak (5 µsec pulse width; 5% duty cycle).

Temperature Range: -55°C to +125°C.

Temperature Coefficient: <0.0004 dB/dB/°C.

Construction: Black aluminum alloy body with passivated stainless steel connectors. Gold plated beryllium copper or stainless steel contacts. RoHS Compliant.

Calibration: Insertion Loss and VSWR performed across frequency range. Calibration test data available at additional cost.

Standard Nominal Values and Deviations:

Attenuation Accuracy: +/- 1.5 dB

Maximum VSWR: 1.35

Dimensions:

Connector Type (- code)	Length Dimension 'A'
N-Type F -03	14.9 (.59)
N-Type M -04	22.7 (.89)
DIN 7/16 F -07	30.5 (1.2)
DIN 7/16 M -08	31.8 (1.25)

Weight: 18.2 (19.2)
Height: 249 (9.8)
Width: 227 (9.0)

Note: Dimensions are given in mm (in), or kg (oz). Weight figure is nominal, with our standard connector configuration. Additional connector options may be available.