

Fixed Coaxial Attenuator

WA80

DC – 2.5 GHz (Usable to 3 GHz)

2000 WATTS



Features

Type N or DIN 7/16 stainless steel M/F connectors per MIL-STD-348A, interface dimensions mate nondestructively with MIL-PRF-39012. Designed to meet MIL-DTL-3933 environmental specification. DIN 7/16 connector, conforms to DIN 47223, IEC 169-4, VG 95250, CECC 22190. Forced air cooling.

Specifications

Nominal Impedance: 50 ohms.

Frequency Range: DC to 2.5 GHz (Usable to 3.0 GHz)

Nominal dB Values: 20, 30, 40 dB

Power Coefficient: < 0.0001 dB/dB/W;
Unidirectional in power.

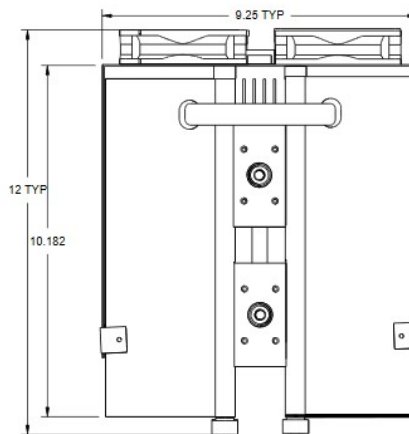
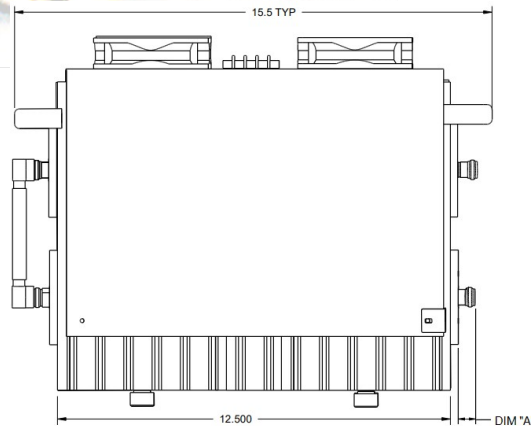
Power Rating: 2000 W maximum average power to +25°C ambient temperature, de-rated linearly to 100 W at +125°C. 10 kW peak (5 µsec pulse width; 10% duty cycle).

Temperature Range: -55°C to +125°C.

Temperature Coefficient: <0.0004 dB/dB/°C.

Construction: Black aluminum alloy body with passivated stainless steel connectors. Gold plated beryllium copper or stainless steel contacts. RoHS Compliant.

Calibration: Insertion Loss and VSWR performed across frequency range. Calibration test data available at additional cost.



Attenuation Accuracy:

Attenuation (dB)	Accuracy ± dB
	WA80
20	+3.5/-3.0 dB
30, 40	+/- 2.5 dB

Maximum VSWR: 1.35

Dimensions:

Height:	295.0 (11.61)
Width:	234.0 (9.21)
Length:	394.0 (15.5)
Weight:	20.55 (724.8)

Note: Dimensions are given in mm (in), or kg (oz). Weight figure is nominal, with our standard connector configuration. Additional con-