

LB-180400-KF Broadband Horn Antenna 18-40GHz 15dB Gain 2.92mm Female

Broadband Horn Antenna Operating From 18GHz to 40GHz With a Nominal 15dB Gain With 2.92mm Female Connector

### Product Information

SKU	LB-180400-KF	Patents	ZL201630454584.X (China)
-----	--------------	---------	--------------------------

### Description

Broadband horn antenna LB-180400-KF, operating from 18 to 40GHz with a nominal 15dB gain and low VSWR 1.5:1 with 2.92mm Female output connector. The model LB-180400-KF has uniform gain through its frequency span, providing efficient performance characteristics and directionality. It can handle 20W continuously and 40W peak power. Constructed of lightweight corrosion-resistant aluminum, the antenna will provide years of trouble-free indoor and outdoor service. This broadband horn antenna is linearly polarized and ideally suited for EMI testing, direction finding, surveillance, antenna gain and pattern measurements and other applications.

Also we provide specific gain horn antennas according to customers' requirement.

### Technical Specification

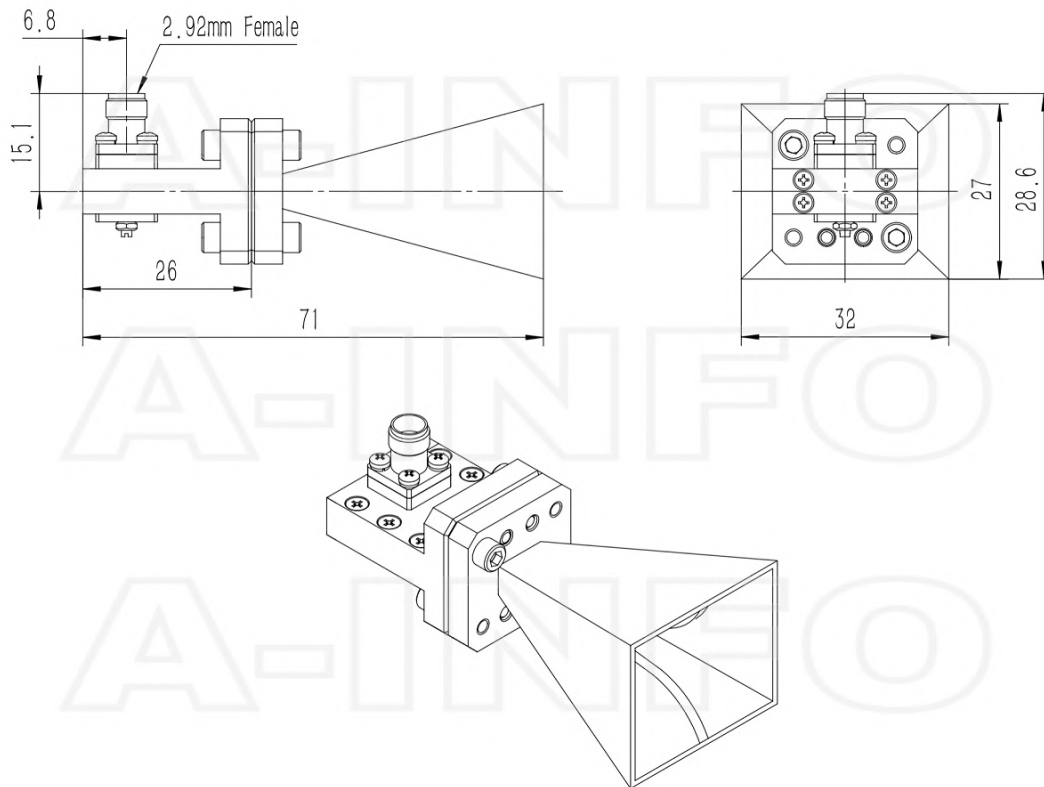
Electrical Specification		Interface	
Frequency, Min (GHz)	18	Output Type	Coaxial
Frequency, Max (GHz)	40	Connector	2.92mm(K)
Gain, Typ (dBi)	15	Connector Gender	Female
Polarization	Linear	Mechanical Specification	
3dB Beamwidth, E-Plane, Min (Deg.)	21	Body Material	Cu
3dB Beamwidth, E-Plane, Max (Deg.)	42	Finish	Gold Plated, Gray Paint
3dB Beamwidth, H-Plane, Min (Deg.)	17	Size, W (mm)	32
3dB Beamwidth, H-Plane, Max (Deg.)	45	Size, H (mm)	28.6
Cross Pol. Isolation, Typ (dB)	30	Size, L (mm)	71
VSWR, Typ	1.5:1	Weight, (kg)	0.08
Impedance, (Ohm)	50		
Power Handling, CW, (W)	20		
Power Handling, Peak, (W)	40		

## Additional Information

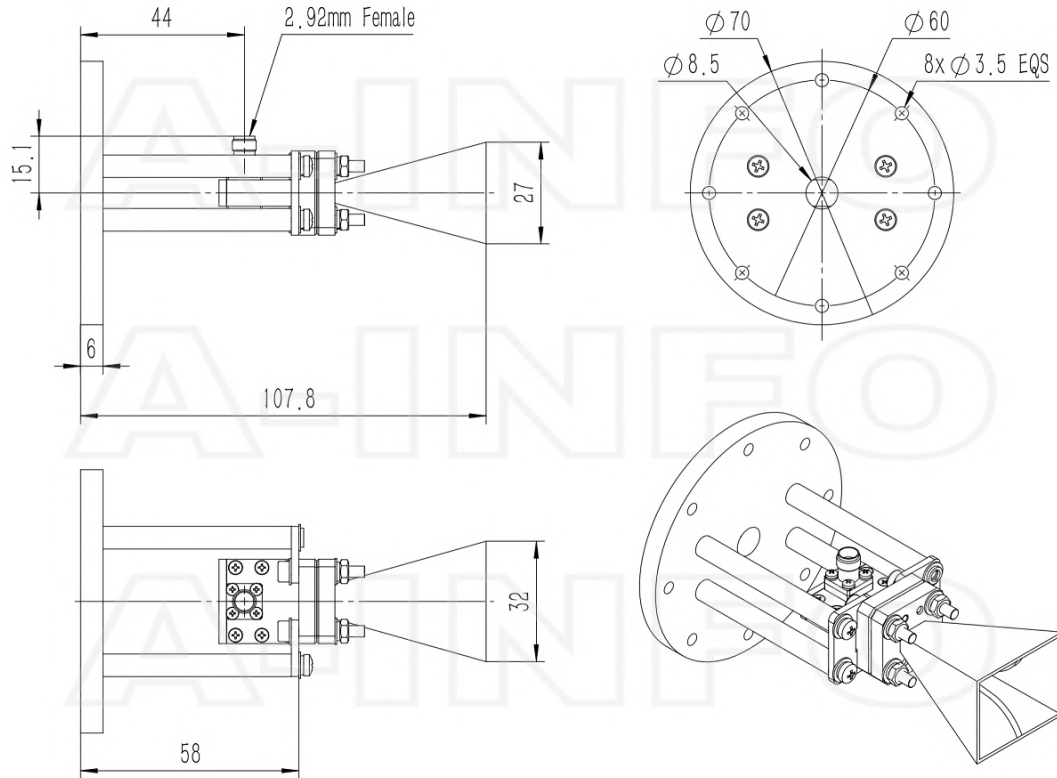
Application	General Purpose Indoor & Outdoor, Fixed	Solution for	Gain Reference Antenna Measurement Reflector Feed Far-field Measurement System Intergration
-------------	---	--------------	---

## Outline Drawing

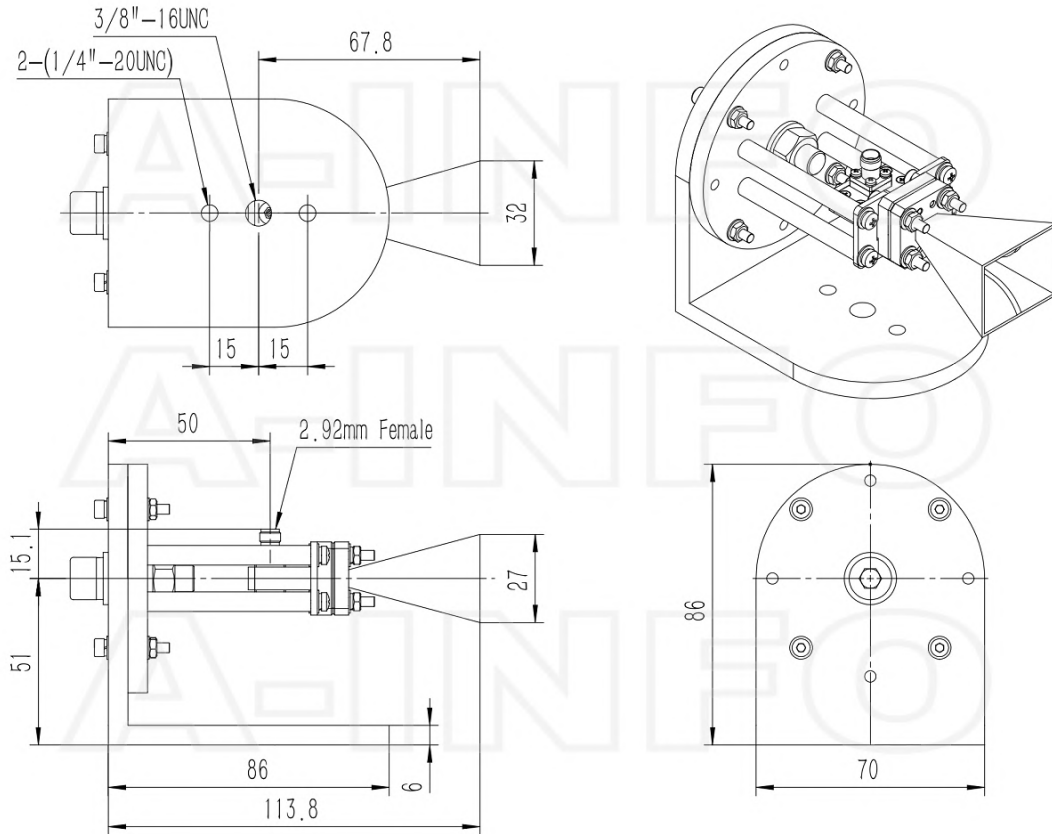
2.92mm-Female Output (P/N: LB-180400-KF)



2.92mm-Female Output with Round Mounting Bracket (Option, P/N: LB-180400-10-C-MB)

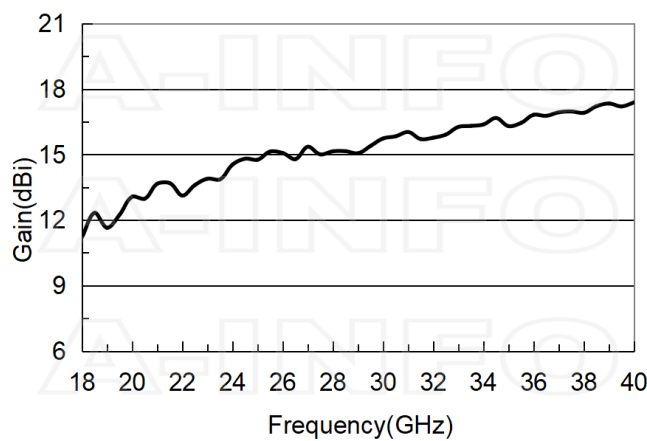


2.92mm-Female Output with L Type Mounting Bracket (Option, P/N: LB-180400-10-C-MBL)

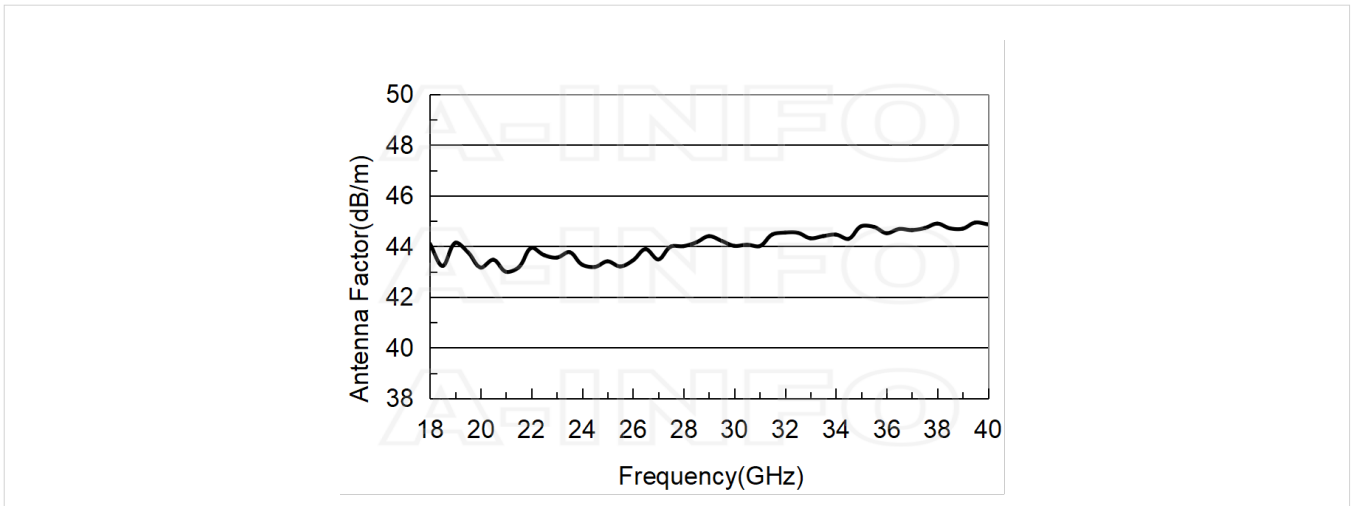


## Typical Test Results

### Gain



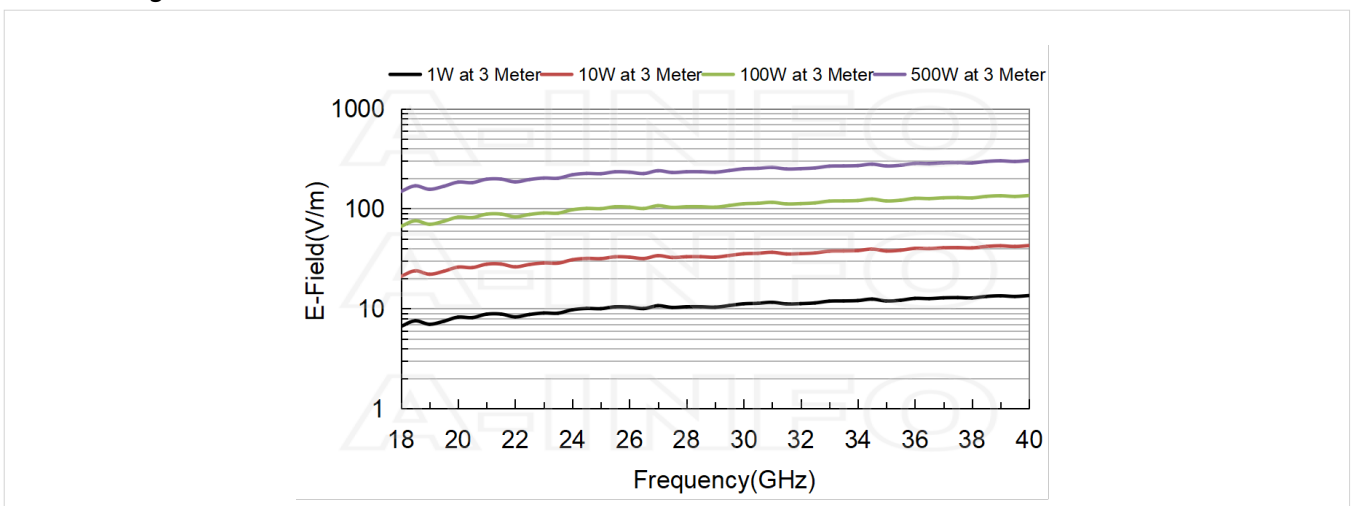
## Antenna Factor



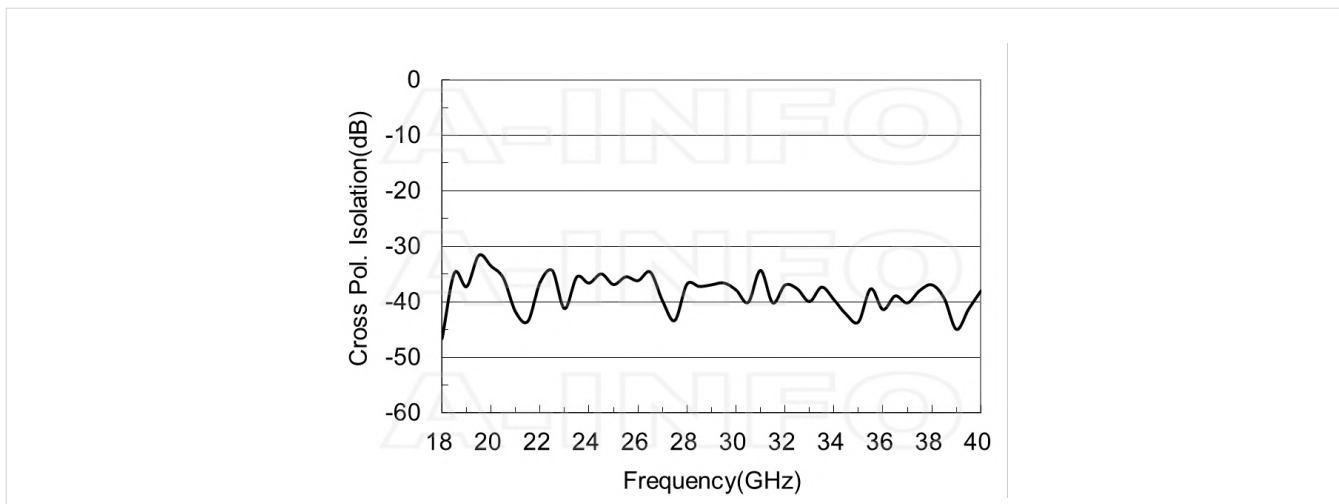
## Antenna Factor (Table)

Frequency(GHz)	Gain(dBi )	Antenna Factor(dB/m)
18.0	11.22	44.10
20.0	13.07	43.16
22.0	13.12	43.94
24.0	14.54	43.28
26.0	15.07	43.44
28.0	15.14	44.01
30.0	15.73	44.02
32.0	15.77	44.55
34.0	16.38	44.46
36.0	16.82	44.52
38.0	16.91	44.90
40.0	17.38	44.87

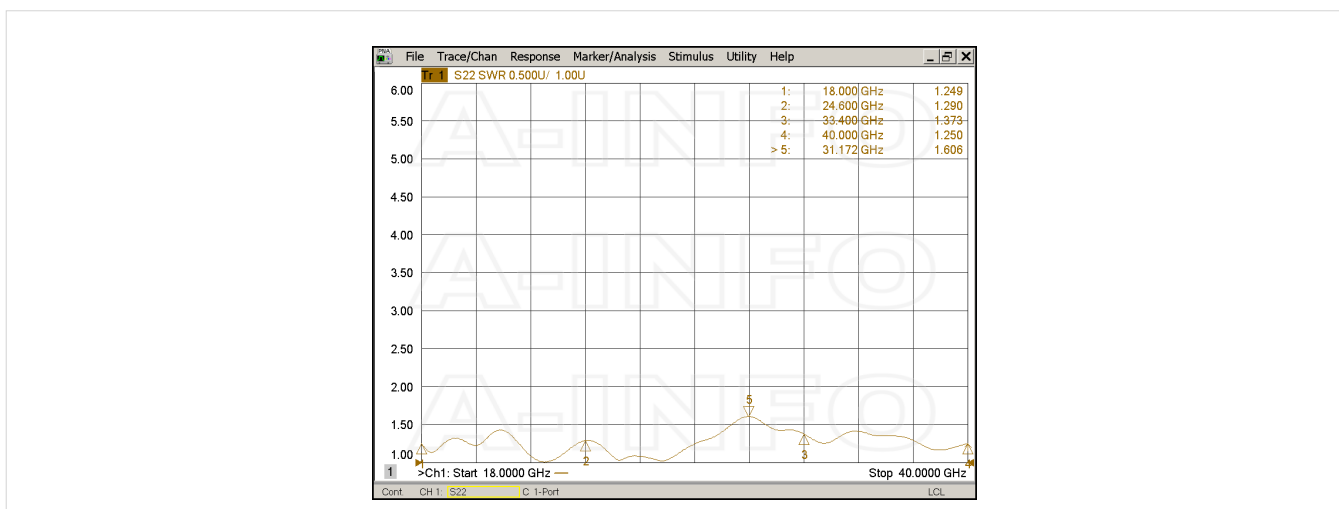
## Field Strength



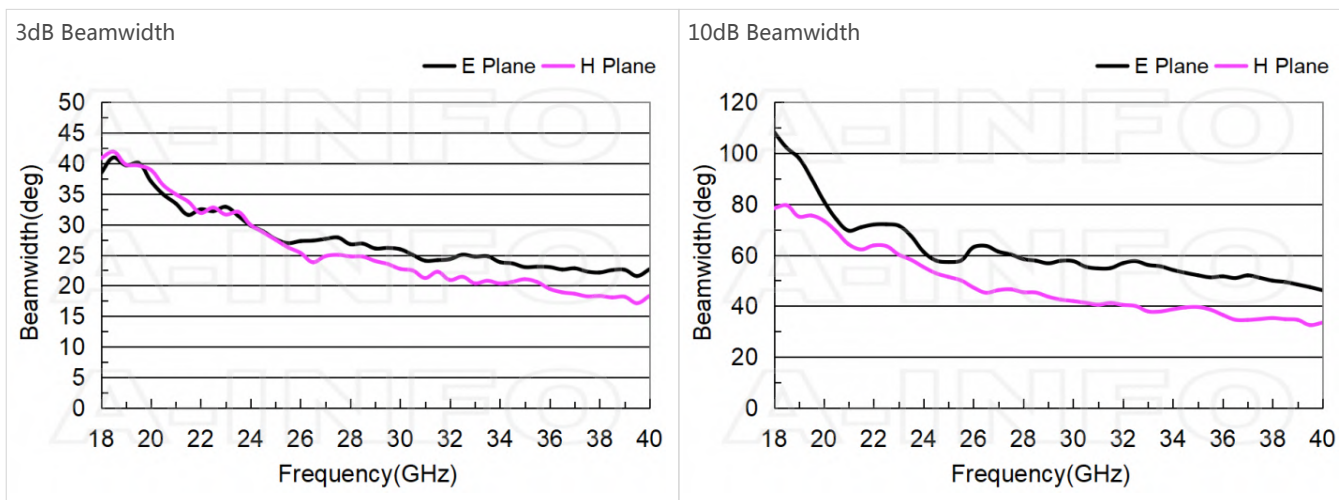
## Cross Polarization Isolation



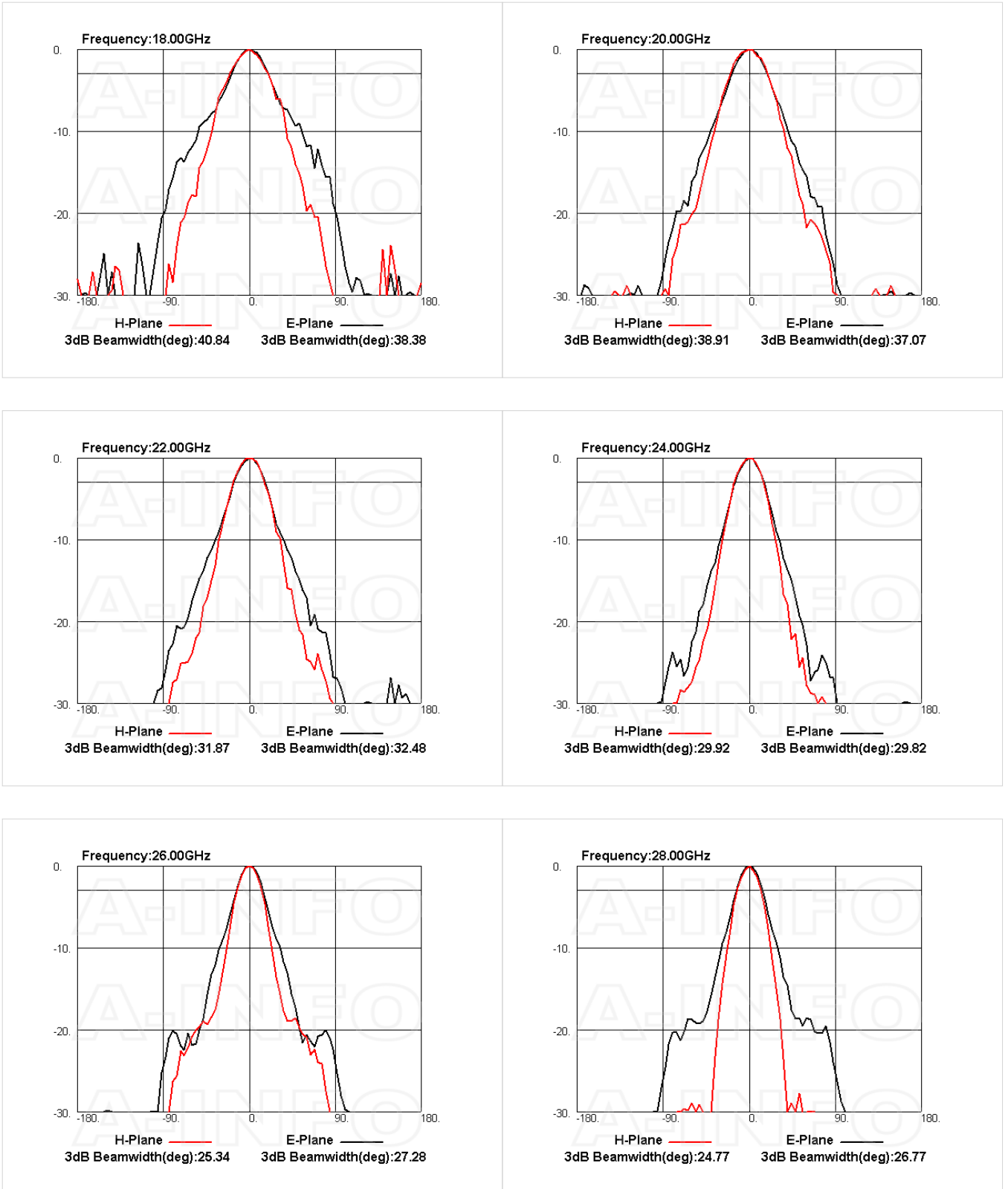
## VSWR

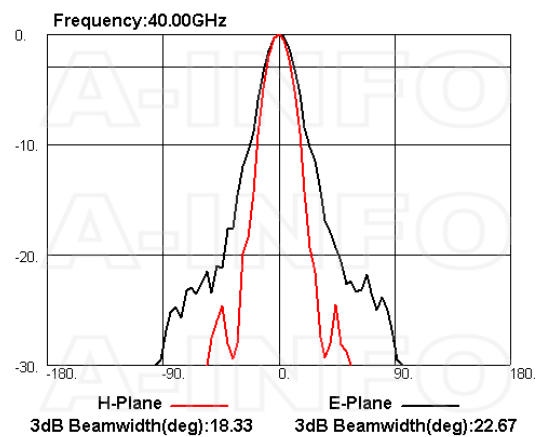
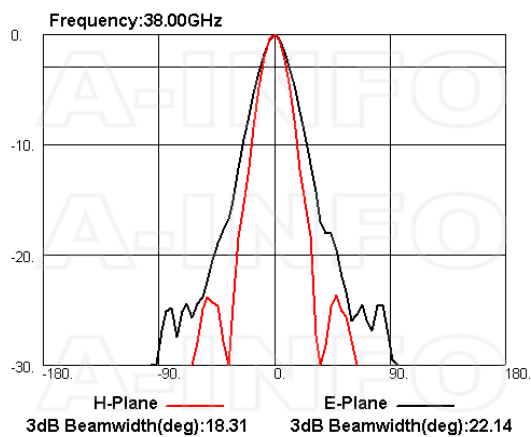
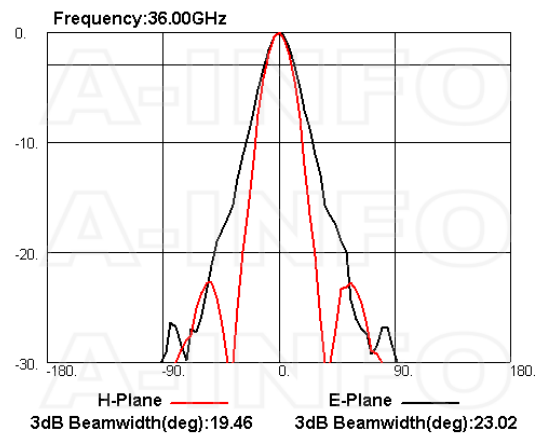
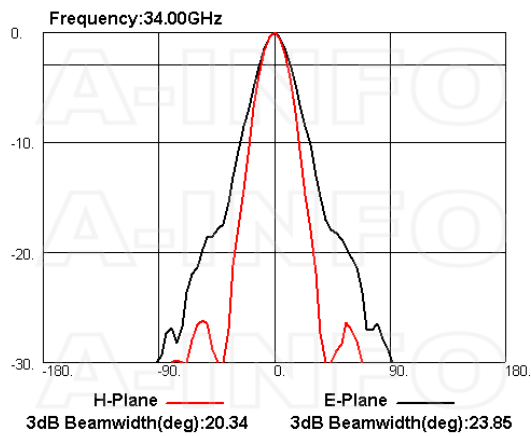
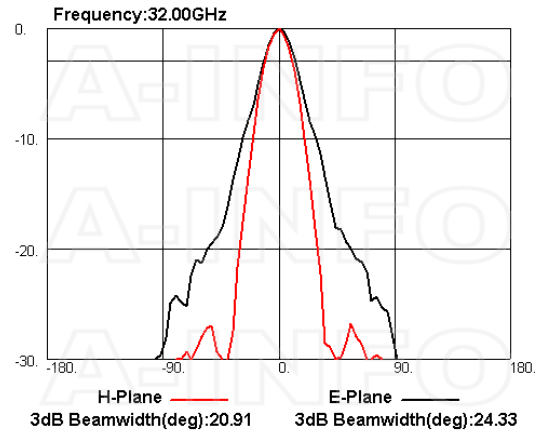
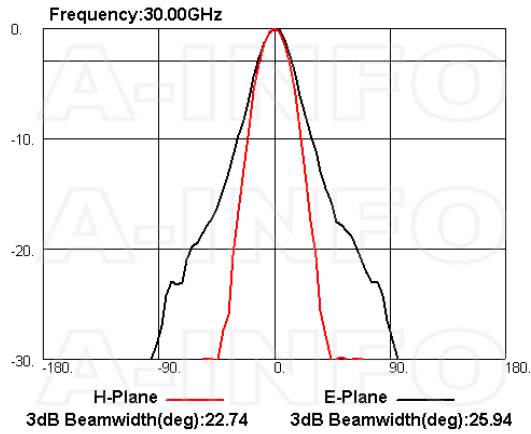


## Beamwidth



Pattern







## Related Products



LB-180400-10-C-MB Round Type Mounting Bracket



LB-180400-10-C-MBL L Type Mounting Bracket



Tripod\_15Kg Al Alloy Tripod



3033HL Wooden Tripod



3033QM Wooden Tripod Metalfree



Carrying Case\_LB-180400-15 Al Alloy Carrying Case



2.92M-2.92M-A050-500 Flexible Cable Assembly 500mm DC-40GHz 2.92mm Male to 2.92mm Male



2.92M-2.92M-A050-1000 Flexible Cable Assembly 1000mm DC-40GHz 2.92mm Male to 2.92mm Male



2.92M-2.92M-A050-1500 Flexible Cable Assembly 1500mm DC-40GHz 2.92mm Male to 2.92mm Male



2.92M-2.92M-A050-2000 Flexible Cable Assembly 2000mm DC-40GHz 2.92mm Male to 2.92mm Male



2.92M-2.92M-A050-3000 Flexible Cable Assembly 3000mm DC-40GHz 2.92mm Male to 2.92mm Male



2.92M-2.92M-A050-5000 Flexible Cable Assembly 5000mm DC-40GHz 2.92mm Male to 2.92mm Male

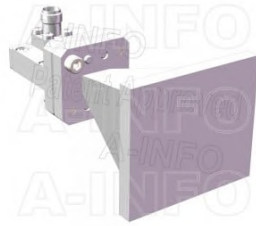


2.92M-2.92M-A050-10000 Flexible Cable Assembly 10000mm DC-40GHz 2.92mm Male to 2.92mm Male

### Similar Products



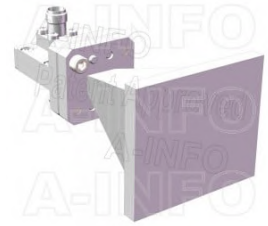
LB-180400-KM Broadband Horn Antenna 18-40GHz 15dB Gain 2.92mm Male



LB-180400-KFSPO Broadband Horn Antenna 18-40GHz 15dB Gain 2.92mm Female



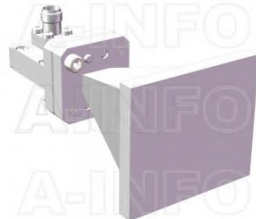
LB-180400-2.4F Broadband Horn Antenna 18-40GHz 15dB Gain 2.4mm Female



LB-180400-2.4FSP0 Broadband Horn Antenna 18-40GHz 15dB Gain 2.4mm Female



LB-180500-2.4F Broadband Horn Antenna 18-50GHz 15dB Gain 2.4mm Female



LB-180500-2.4FSP0 Broadband Horn Antenna 18-50GHz 15dB Gain 2.4mm Female



LB-60670-1.85F Broadband Horn Antenna 6-67GHz 13dB Gain 1.85mm Female



LB-60670-1.85FSP0 Broadband Horn Antenna 6-67GHz 13dB Gain 1.85mm Female



LB-SJ-40400-KF Broadband Dual Polarization Horn Antenna 4-40GHz 12dB Gain 2.92mm Female



LB-SJ-40400-KFSPO Broadband Dual Polarization Horn Antenna 4-40GHz 12dB Gain 2.92mm Female



LB-SJ-40400-2.4F Broadband Dual Polarization Horn Antenna 4-40GHz 12dB Gain 2.4mm Female



LB-SJ-40400-2.4FSP0 Broadband Dual Polarization Horn Antenna 4-40GHz 12dB Gain 2.4mm Female



LB-SJ-50500-2.4F Broadband Dual Polarization Horn Antenna 5-50GHz 12dB Gain 2.4mm Female



LB-SJ-50500-1.85F Broadband Dual Polarization Horn Antenna 5-50GHz 12dB Gain 1.85mm Female

## About this Datasheet

<ul style="list-style-type: none"><li>● <b>Product Information</b></li></ul> <p>Product Link: <a href="https://www.ainfoinc.com/lb-180400-kf-broadband-horn-antenna-18-40-ghz-15db-gain-2-92mm-female">https://www.ainfoinc.com/lb-180400-kf-broadband-horn-antenna-18-40-ghz-15db-gain-2-92mm-female</a> Data subject to change without notice. © A-INFO INC. 2024. All Rights Reserved</p>	<ul style="list-style-type: none"><li>● <b>Contact Us</b></li></ul> <p>Address: 60 Tesla, Irvine, CA 92618, USA</p> <p>Website: <a href="http://www.ainfoinc.com">www.ainfoinc.com</a></p> <p>Email: <a href="mailto:sales@ainfoinc.com">sales@ainfoinc.com</a></p>	<ul style="list-style-type: none"><li>● <b>Phone &amp; Fax</b></li></ul> <p>Phone: +1-949-639-9688 +1-949-639-9608</p> <p>Fax: +1-949-639-9670</p>
--	---	--