



LB-90-20-C-NF Standard Gain Horn Antenna 8.2-12.4GHz 20dB Gain N Type Female

Standard Gain Horn Antenna Operating From 8.2GHz to 12.4GHz With a Nominal 20dB Gain With N Type Female Connector

Product Information

| | | | |
|-----|---------------|---------|--------------------------|
| SKU | LB-90-20-C-NF | Patents | ZL201830355569.9 (China) |
|-----|---------------|---------|--------------------------|

Description

Standard Gain Horn Antenna LB-90-20-C-NF, operating from 8.2 to 12.4GHz with a nominal 20dB gain and low VSWR 1.25:1 with N Type Female connector output. The model LB-90-20-C-NF has uniform gain through its frequency span, providing efficient performance characteristics and directionality. It can handle 150W continuously and 3000W peak power. Constructed of lightweight corrosion-resistant aluminum, the antenna will provide years of trouble-free indoor and outdoor service. This standard gain horn antenna is linearly polarized and ideally suited for EMI testing, direction finding, surveillance, antenna gain and pattern measurements and other applications.

Technical Specification

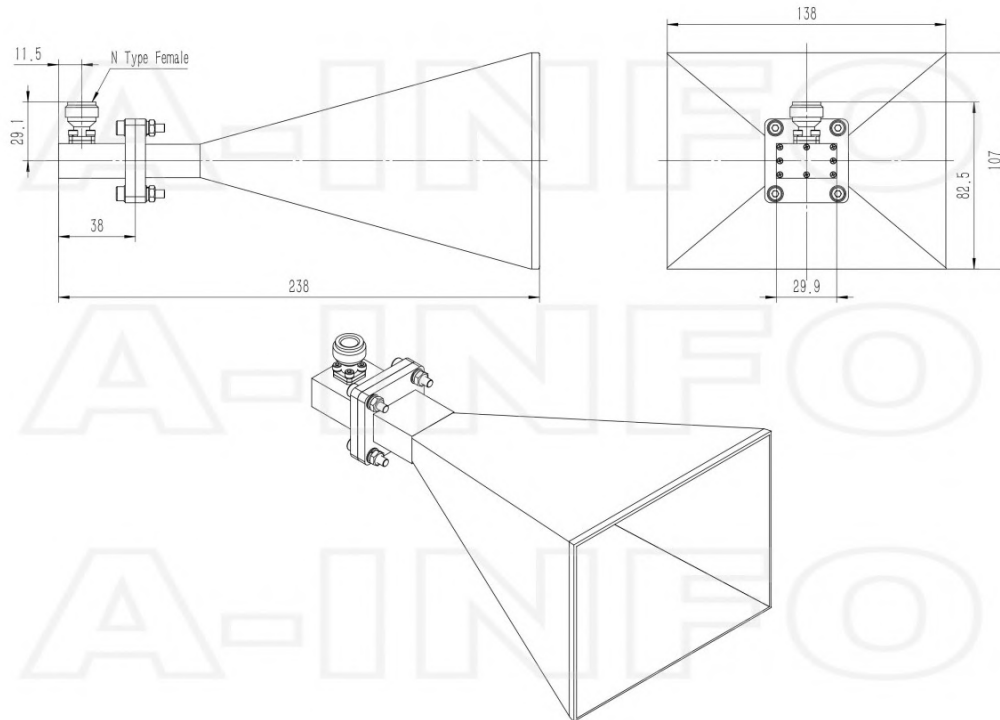
| Electrical Specification | | Interface | |
|------------------------------------|-------------|--------------------------|---|
| Frequency, Min (GHz) | 8.2 | Output Type | Coaxial |
| Frequency, Max (GHz) | 12.4 | Connector | N Type |
| Waveguide Type | Rectangular | Connector Gender | Female |
| Waveguide Size EIA WR | WR90 | Mechanical Specification | |
| Gain, Typ (dBi) | 20 | Figure | C Type |
| Polarization | Linear | Body Material | Al |
| 3dB Beamwidth, E-Plane, Typ (Deg.) | 14 | Finish | Chemical Conversion Coating, Gray Paint |
| 3dB Beamwidth, H-Plane, Typ (Deg.) | 16 | Size, W (mm) | 138 |
| Cross Pol. Isolation, Typ (dB) | 45 | Size, H (mm) | 107 |
| VSWR, Typ | 1.25:1 | Size, L (mm) | 238 |
| Impedance, (Ohm) | 50 | Weight, (kg) | 0.48 |
| Power Handling, CW, (W) | 150 | | |
| Power Handling, Peak, (W) | 3000 | | |

Additional Information

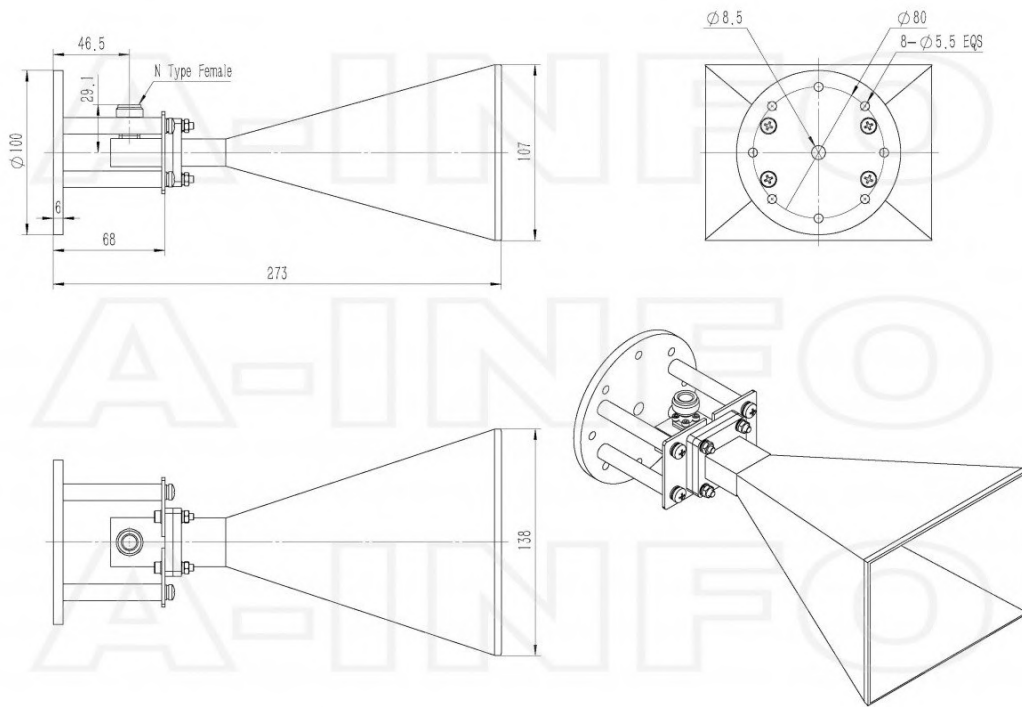
| | | | |
|-------------|---|--------------|---|
| Application | General Purpose Indoor & Outdoor, Fixed | Solution for | Gain Reference Antenna Measurement Reflector Feed Far-field Measurement System Intergration Material Measurement |
|-------------|---|--------------|---|

Outline Drawing

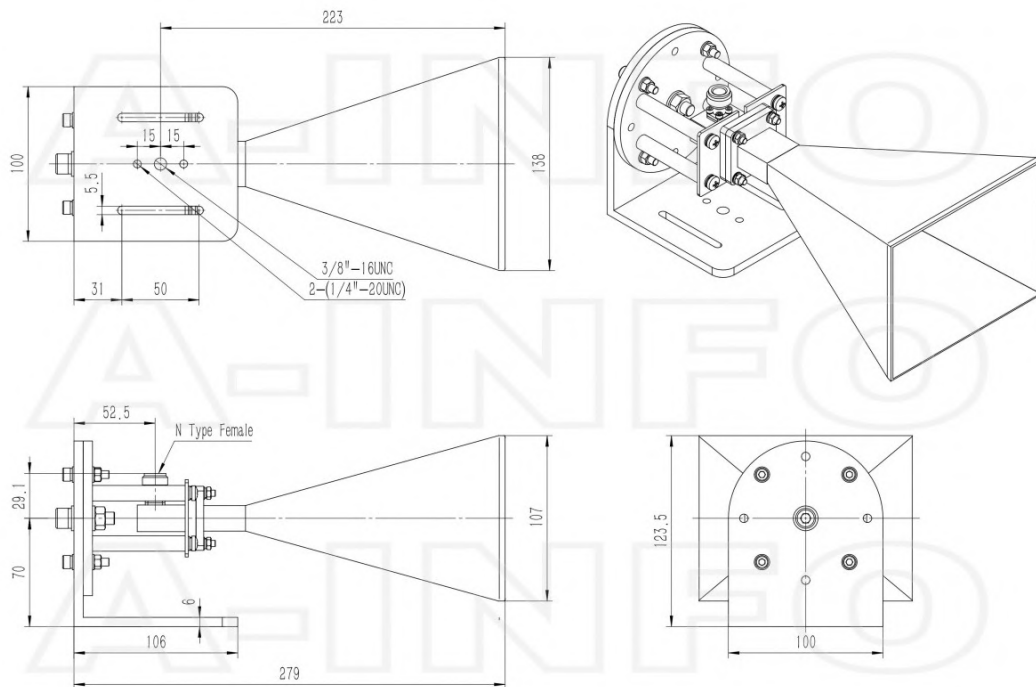
N Type Female Output (P/N: LB-90-20-C-NF)



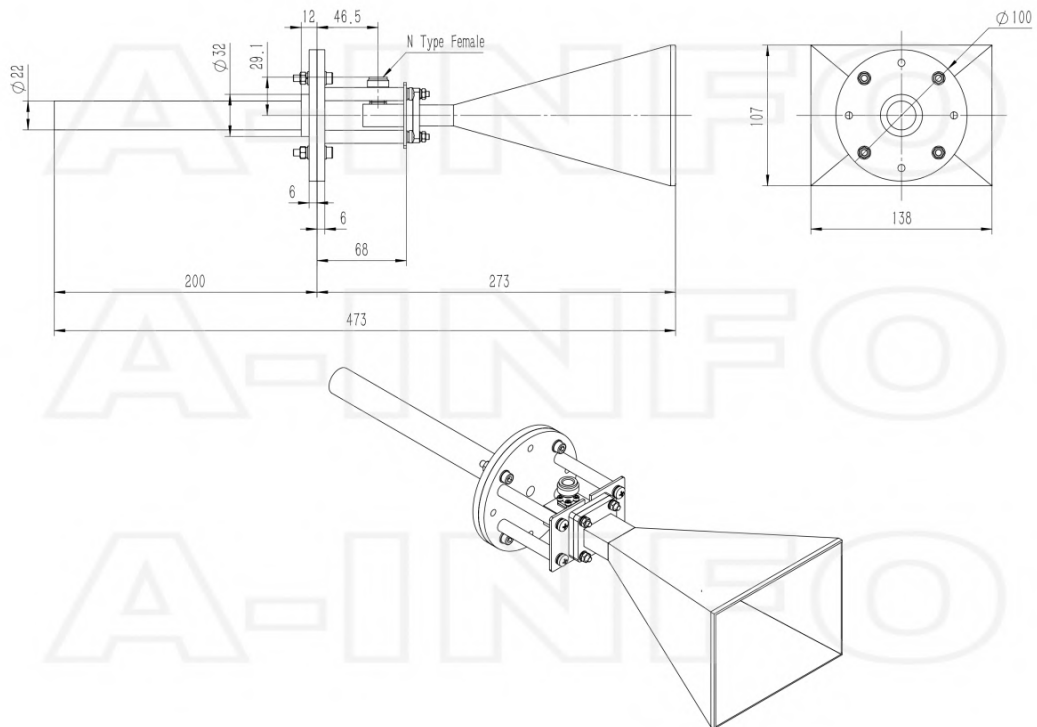
N Type Female Output with Round Mounting Bracket (Option, P/N: LB-90-10-C-MB)



N Type Female Output with L Type Mounting Bracket (Option, P/N: LB-90-10-C-MBL)

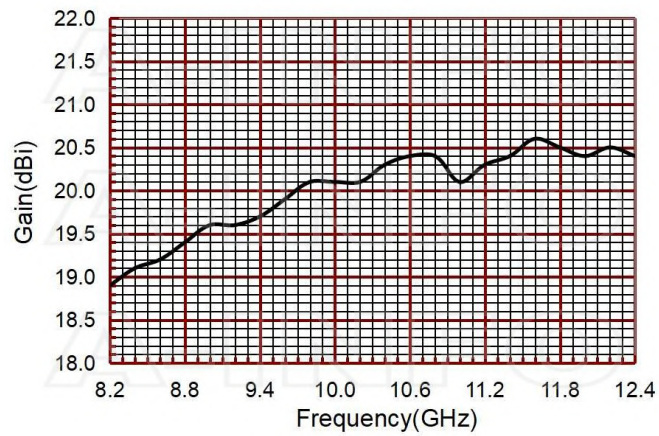


N Type Female Output with Stinger Type Mounting Bracket (Option, P/N: LB-90-10-C-MA)

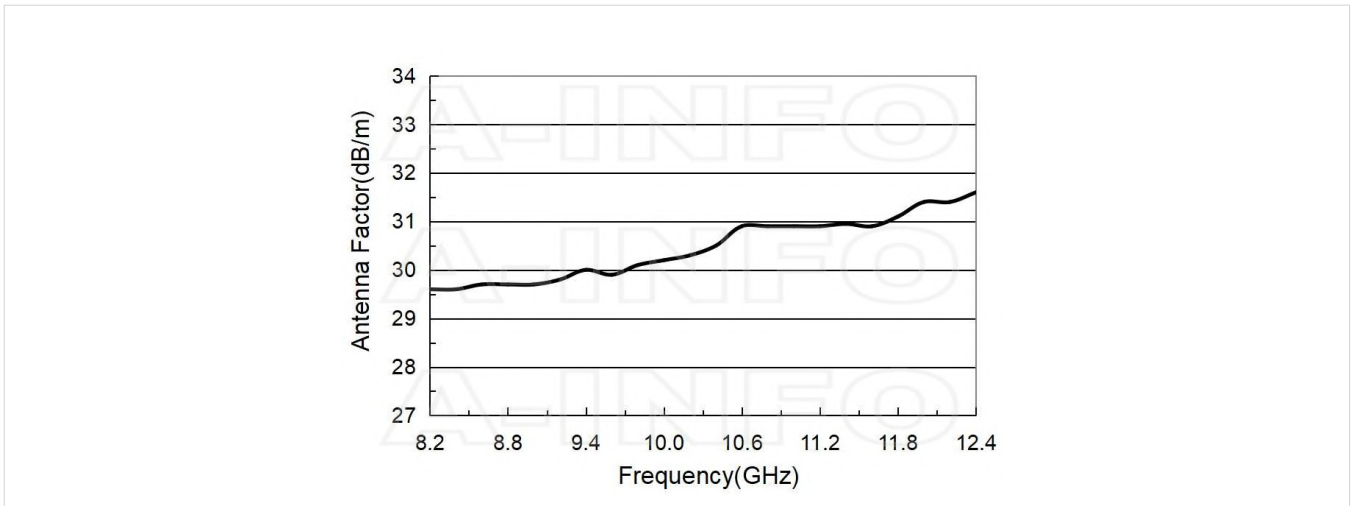


Typical Test Results

Gain



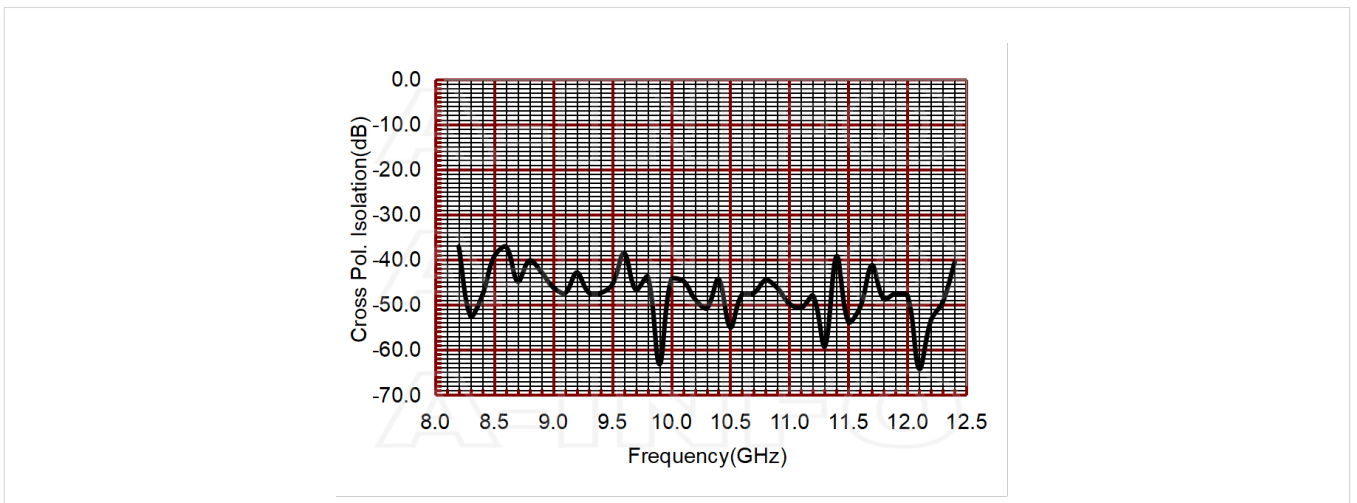
Antenna Factor



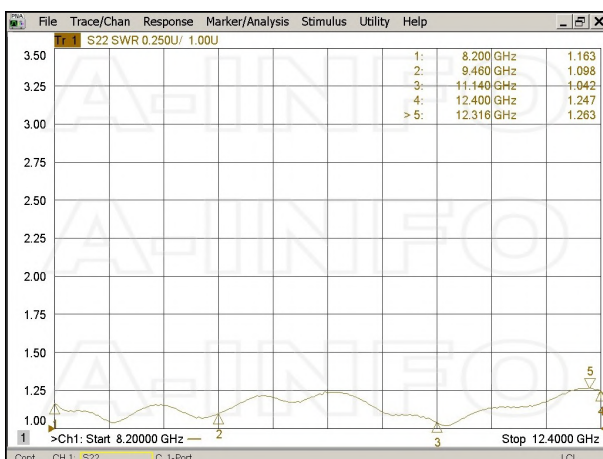
Antenna Factor (Table)

| Frequency(GHz) | Gain(dBi) | Antenna Factor(dB/m) |
|----------------|-----------|----------------------|
| 8.2 | 18.90 | 29.59 |
| 8.5 | 19.15 | 29.65 |
| 9.0 | 19.60 | 29.69 |
| 9.5 | 19.80 | 29.96 |
| 10.0 | 20.10 | 30.11 |
| 10.3 | 20.20 | 30.27 |
| 10.5 | 20.35 | 30.28 |
| 11.0 | 20.10 | 30.94 |
| 11.5 | 20.50 | 30.92 |
| 12.0 | 20.40 | 31.39 |
| 12.4 | 20.40 | 31.68 |

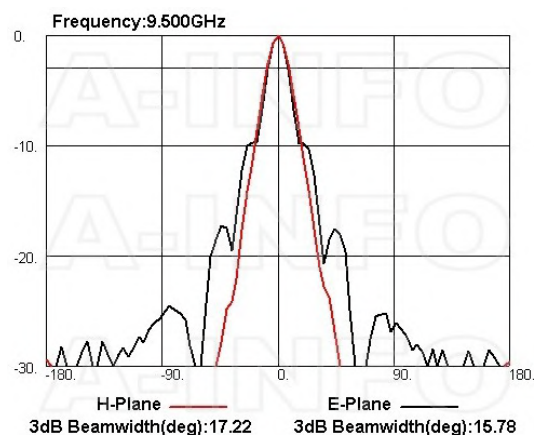
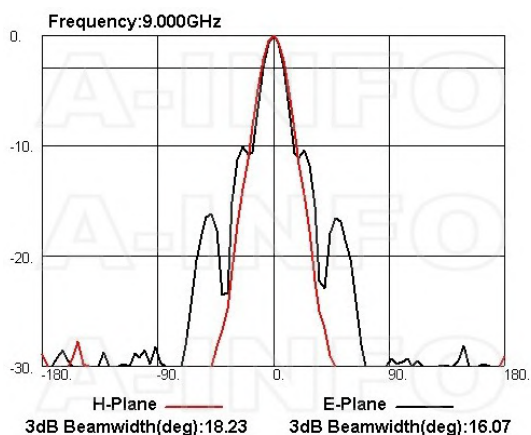
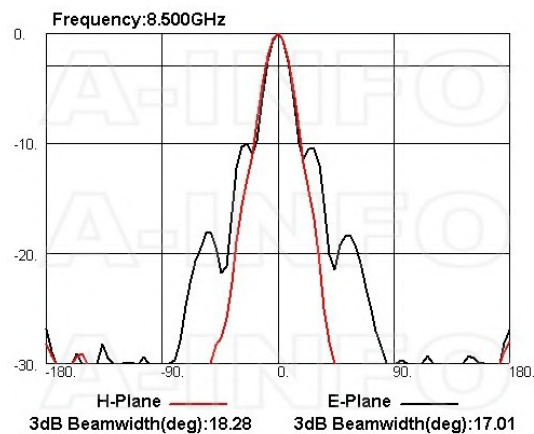
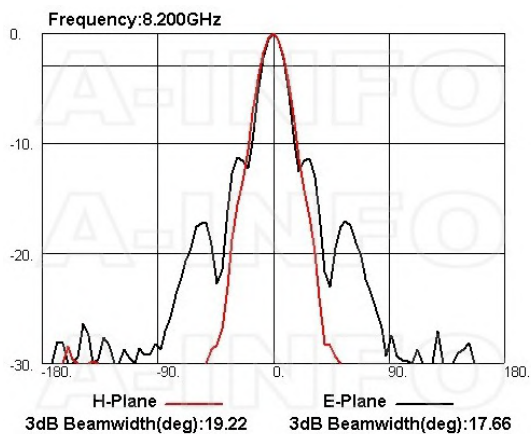
Cross Polarization Isolation

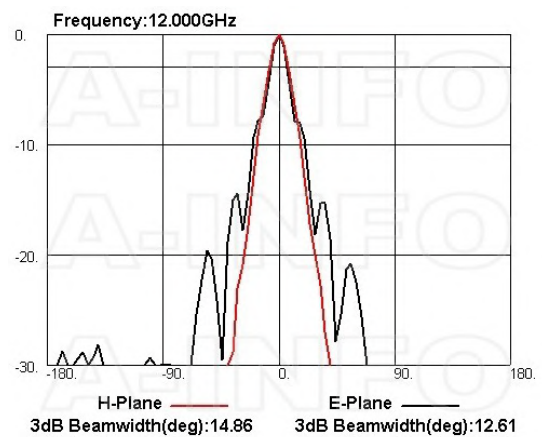
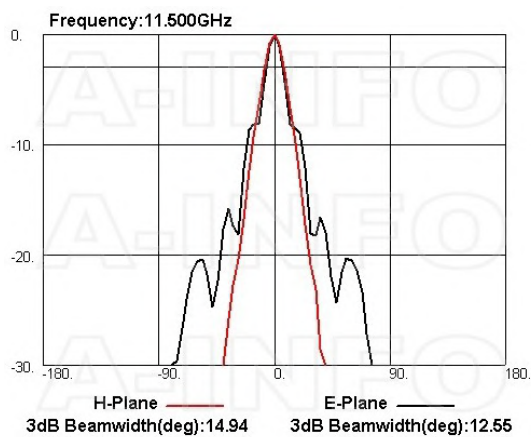
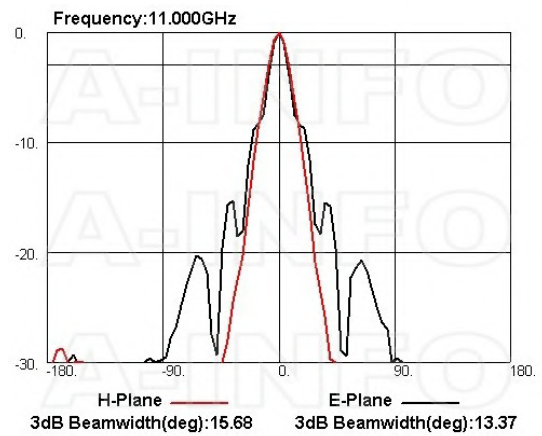
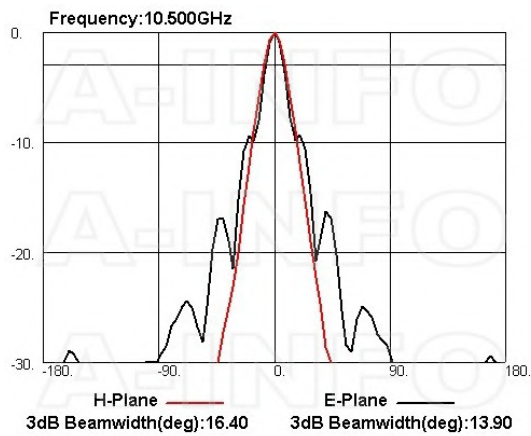
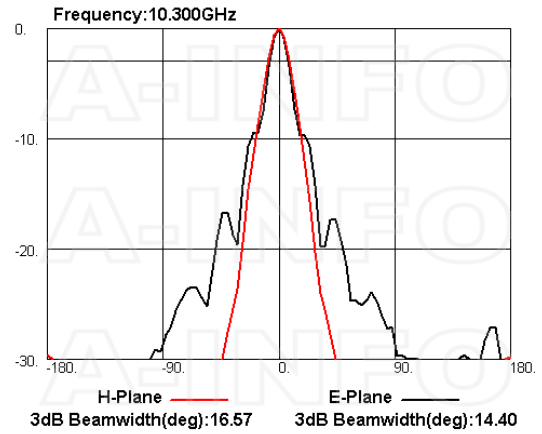
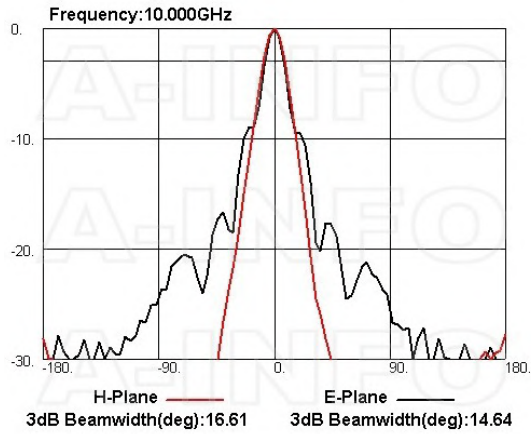


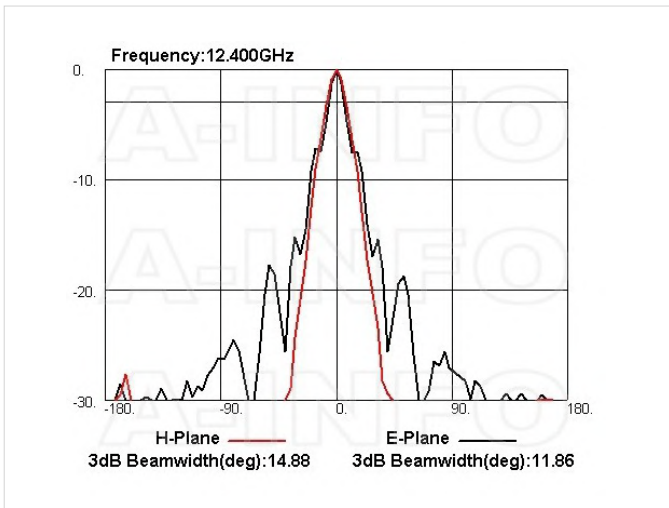
VSWR



Pattern







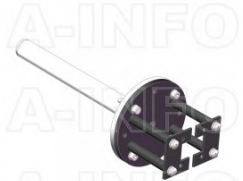
Related Products



LB-90-10-C-MB Round Type Mounting Bracket



LB-90-10-C-MBL L type mounting bracket



LB-90-10-C-MA Stinger Type Mounting Bracket



Tripod_15Kg Al Alloy Tripod



3033HL Wooden Tripod



3033QM Wooden Tripod Metalfree



Carrying Case_LB-90-20-C Al Alloy Carrying Case



NM-NM-A050-1000 Flexible Cable Assembly 1000mm DC-18GHz N Male to N Male



NM-NM-A050-1500 Flexible Cable Assembly 1500mm DC-18GHz N Male to N Male



NM-NM-A050-2000 Flexible Cable Assembly 2000mm DC-18GHz N Male to N Male



NM-NM-A050-3000 Flexible Cable Assembly 3000mm DC-18GHz N Male to N Male



NM-NM-A050-5000 Flexible Cable Assembly 5000mm DC-18GHz N Male to N Male



NM-NM-A050-10000 Flexible Cable Assembly 10000mm DC-18GHz N Male to N Male



NM-NM-A050-20000 Flexible Cable Assembly 20000mm DC-18GHz N Male to N Male



NM-NM-A100-1000 Flexible Cable Assembly 1000mm DC-18GHz N Male to N Male



NM-NM-A100-1500 Flexible Cable Assembly 1500mm DC-18GHz N Male to N Male



NM-NM-A100-2000 Flexible Cable Assembly 2000mm DC-18GHz N Male to N Male



NM-NM-A100-3000 Flexible Cable Assembly 3000mm DC-18GHz N Male to N Male



NM-NM-A100-5000 Flexible Cable Assembly 5000mm DC-18GHz N Male to N Male



NM-NM-A100-10000 Flexible Cable Assembly 10000mm DC-18GHz N Male to N Male

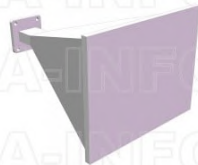


NM-NM-A100-20000 Flexible Cable Assembly 20000mm DC-18GHz N Male to N Male

Similar Products



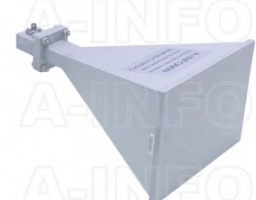
LB-90-20-A Standard Gain Horn Antenna 8.2-12.4GHz 20dB Gain Rectangular Waveguide Interface



LB-90-20-ASPO Standard Gain Horn Antenna 8.2-12.4GHz 20dB Gain Rectangular Waveguide Interface



LB-90-20-C-SF Standard Gain Horn Antenna 8.2-12.4GHz 20dB Gain SMA Female



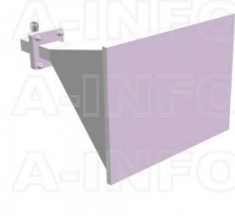
LB-90-20-C-SFSP Standard Gain Horn Antenna 8.2-12.4GHz 20dB Gain SMA Female



LB-90-20-C-NFSPO Standard Gain Horn Antenna 8.2-12.4GHz 20dB Gain N Type Female



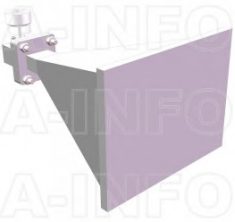
LB-90-20-C-TF Standard Gain Horn Antenna 8.2-12.4GHz 20dB Gain TNC Female



LB-90-20-C-TFSPO Standard Gain Horn Antenna 8.2-12.4GHz 20dB Gain TNC Female



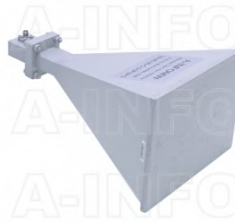
LB-90-20-C-7 Standard Gain Horn Antenna 8.2-12.4GHz 20dB Gain 7mm



LB-90-20-C-7SPO Standard Gain Horn Antenna 8.2-12.4GHz 20dB Gain 7mm



LB-90-20-C-3.5F Standard Gain Horn Antenna 8.2-12.4GHz 20dB Gain 3.5mm Female



LB-90-20-C-3.5FSPO Standard Gain Horn Antenna 8.2-12.4GHz 20dB Gain 3.5mm Female

About this Datasheet

| | | |
|---|--|---|
| <ul style="list-style-type: none"> ● Product Information <p>Product Link: https://www.ainfoinc.com/lb-90-20-c-nf-standard-gain-horn-antenna-8-2-12-4-ghz-20db-gain-n-type-female Data subject to change without notice. © A-INFO INC. 2024. All Rights Reserved</p> | <ul style="list-style-type: none"> ● Contact Us <p>Address: 60 Tesla, Irvine, CA 92618, USA</p> <p>Website: www.ainfoinc.com</p> <p>Email: sales@ainfoinc.com</p> | <ul style="list-style-type: none"> ● Phone & Fax <p>Phone: +1-949-639-9688 +1-949-639-9608</p> <p>Fax: +1-949-639-9670</p> |
|---|--|---|