

LB-DG-90-20-C-NF WR90 Diagonal Horn Antenna 8.2-12.4GHz 20dB Gain N Type Female



WR90 Diagonal Horn Antenna Operating From 8.2GHz to 12.4GHz With a Nominal 20dB Gain With N Type Female Connector

Product Information

SKU	LB-DG-90-20-C-NF
-----	------------------

Description

Diagonal horn antenna LB-DG-90-20-C-NF, operating from 8.2 to 12.4GHz with a nominal 20dB gain and low VSWR 1.5:1 with N Type Female output connector. The model LB-DG-90-20-C-NF has uniform gain through its frequency span, providing a symmetrical radiation pattern and extremely low side-lobes. It can handle 150W continuously and 3000W peak power. Constructed of lightweight corrosion-resistant aluminum, the antenna will provide years of trouble-free indoor and outdoor service. This diagonal horn antenna has linear polarization and ideally suited for illumination of anechoic chamber, antenna far field test, radar cross section (RCS) measurement and other applications.

Technical Specification

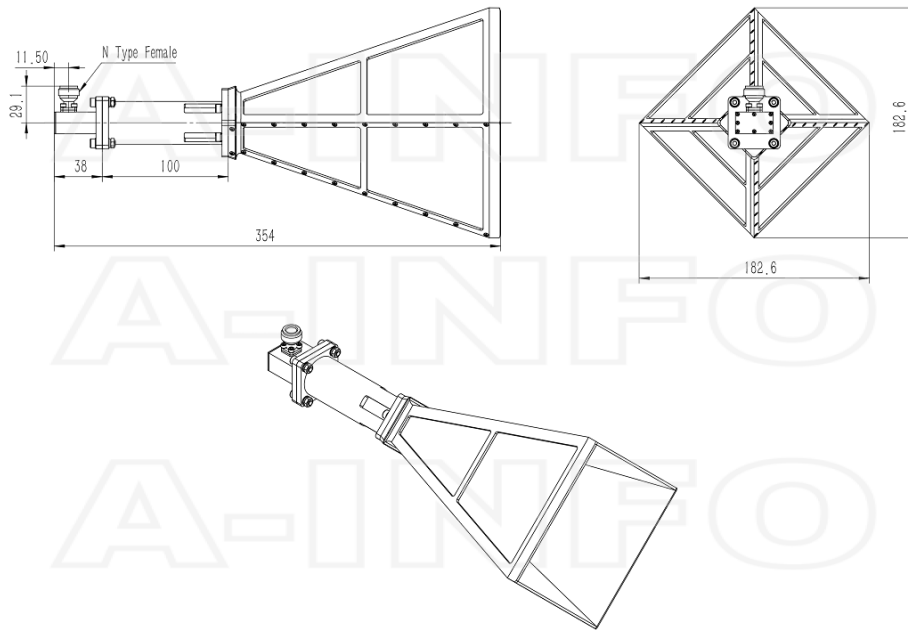
Electrical Specification		Interface	
Frequency, Min (GHz)	8.2	Output Type	Coaxial
Frequency, Max (GHz)	12.4	Connector	N Type
Waveguide Type	Rectangular	Connector Gender	Female
Waveguide Size EIA WR	WR90	Mechanical Specification	
Gain, Typ (dBi)	20	Figure	C Type
Polarization	Linear	Body Material	Al
3dB Beamwidth, E-Plane, Typ (Deg.)	15	Finish	Chemical Conversion Coating, Gray Paint
3dB Beamwidth, H-Plane, Typ (Deg.)	15	Size, W (mm)	182.6
Side Lobe Level, E-Plane, Min (dB)	30	Size, H (mm)	182.6
Side Lobe Level, H-Plane, Min (dB)	35	Size, L (mm)	354
Cross Pol. Isolation, Typ (dB)	40	Weight, (kg)	0.7
VSWR, Max	1.5:1		
Impedance, (Ohm)	50		
Power Handling, CW, (W)	150		
Power Handling, Peak, (W)	3000		

Additional Information

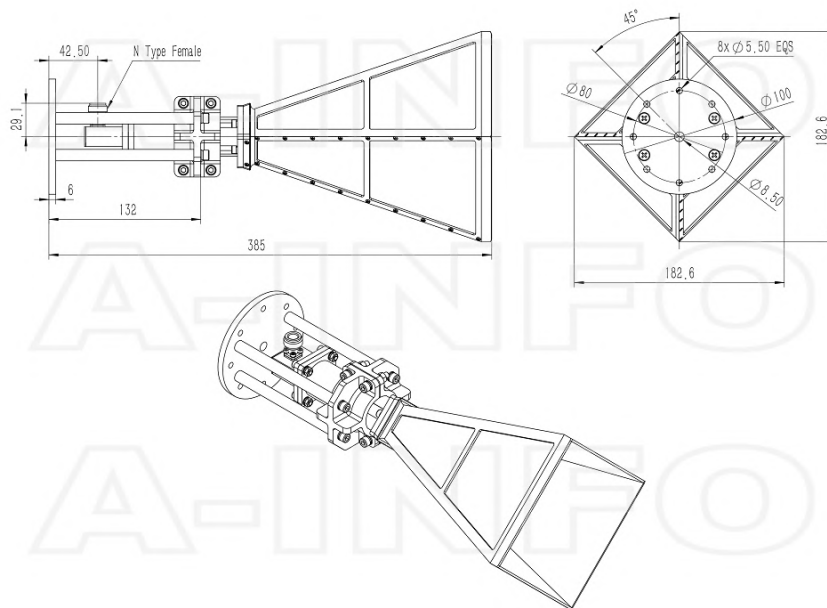
Application	General Purpose Indoor & Outdoor, Fixed	Solution for	Chamber Evaluation Far-field Measurement RCS Measurement
-------------	---	--------------	--

Outline Drawing

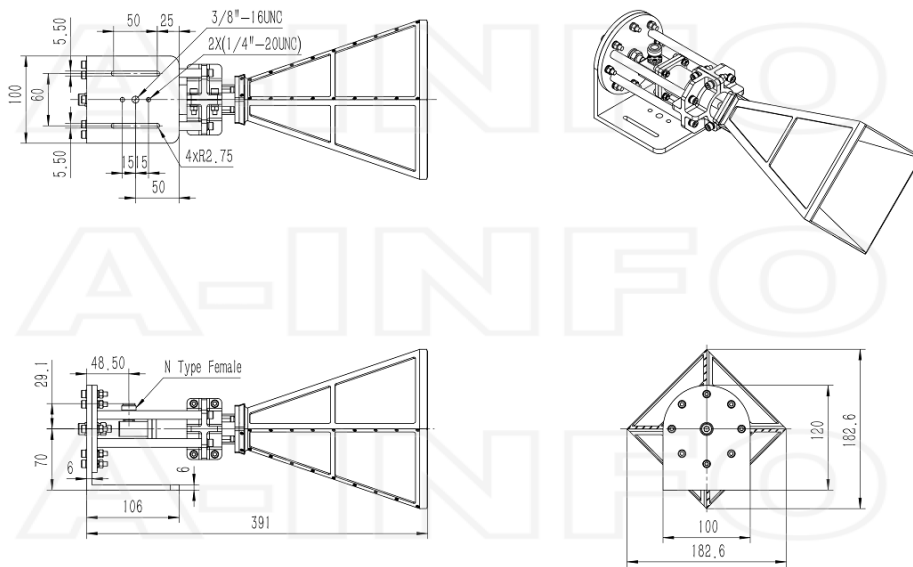
N-Female Output (P/N: LB-DG-90-20-C-NF)



N-Female Output with Round Mounting Bracket (Option, P/N: LB-DG-90-20-MB)

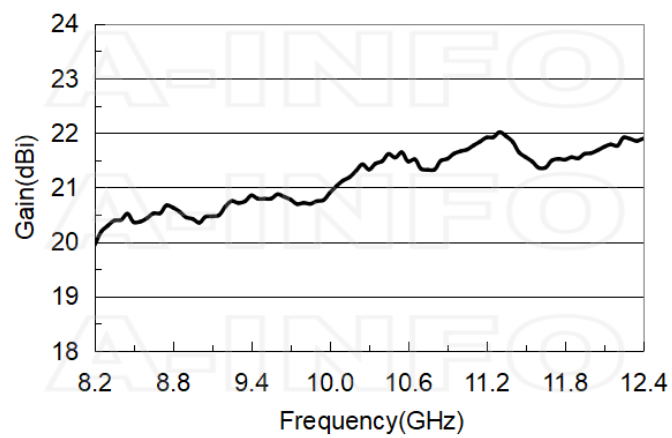


N-Female Output with L Type Mounting Bracket (Option, P/N: LB-DG-90-20-MBL)

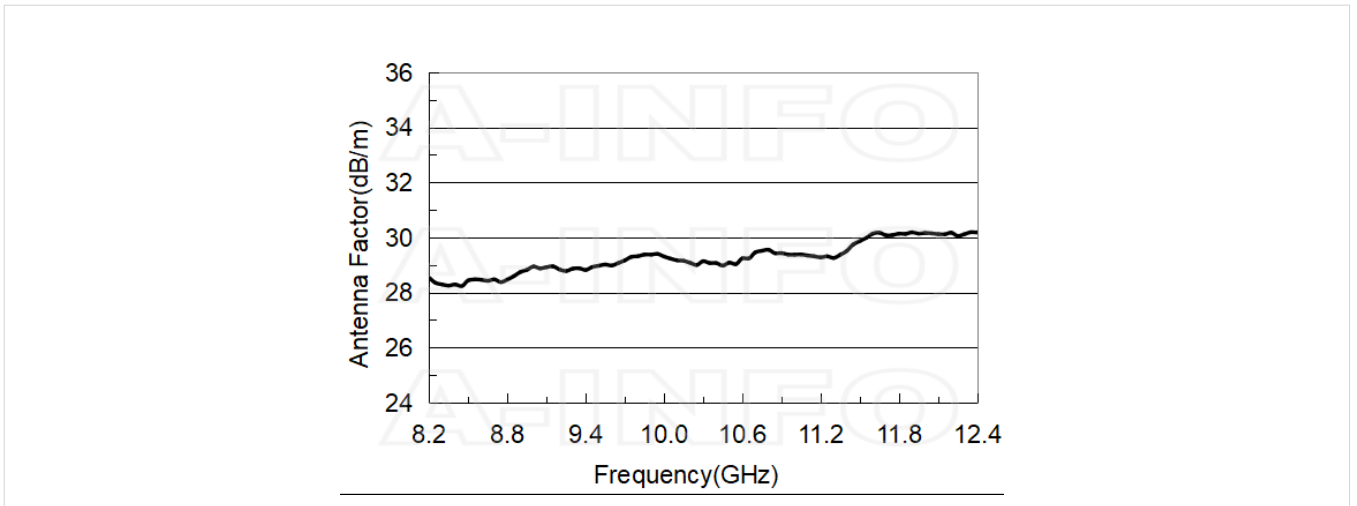


Typical Test Results

Gain



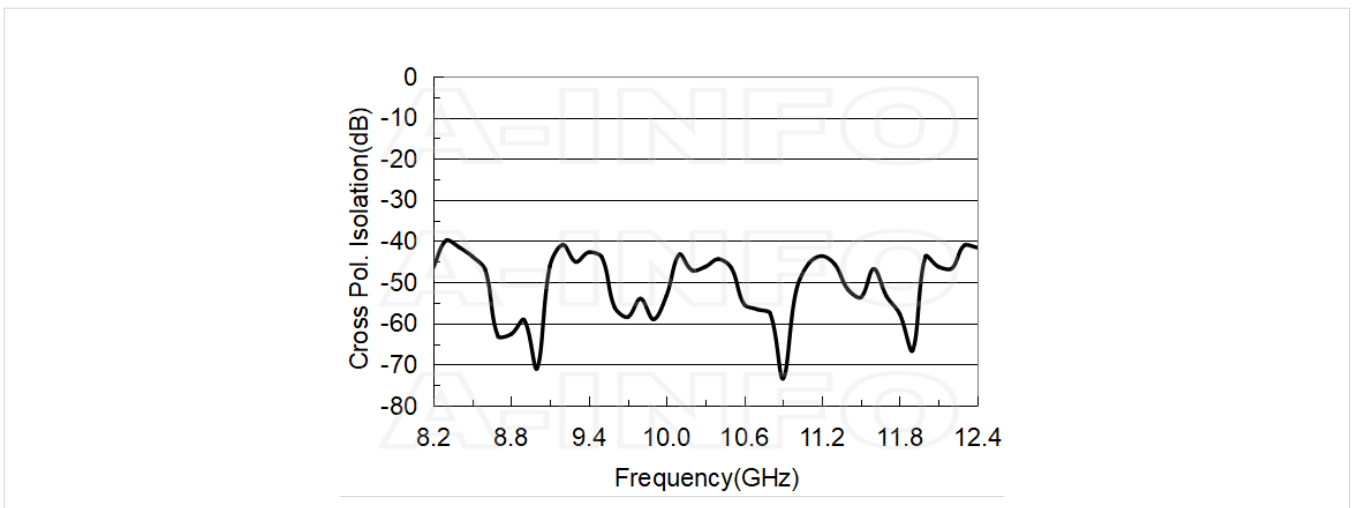
Antenna Factor



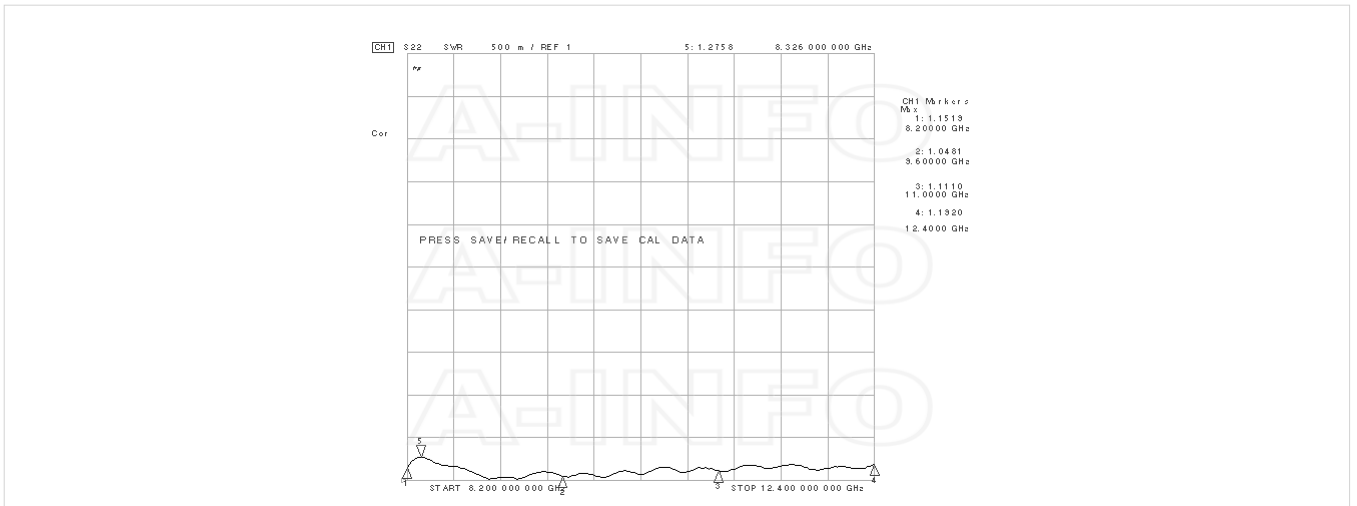
Antenna Factor (Table)

Frequency(GHz)	Gain(dBi)	AF(dB/m)
8.2	19.94	28.54
8.5	20.36	28.44
9.0	20.35	28.94
9.5	20.79	28.97
10.0	20.90	29.31
10.5	21.55	29.09
11.0	21.66	29.37
11.5	21.55	29.87
12.0	21.63	30.16
12.4	21.89	30.19

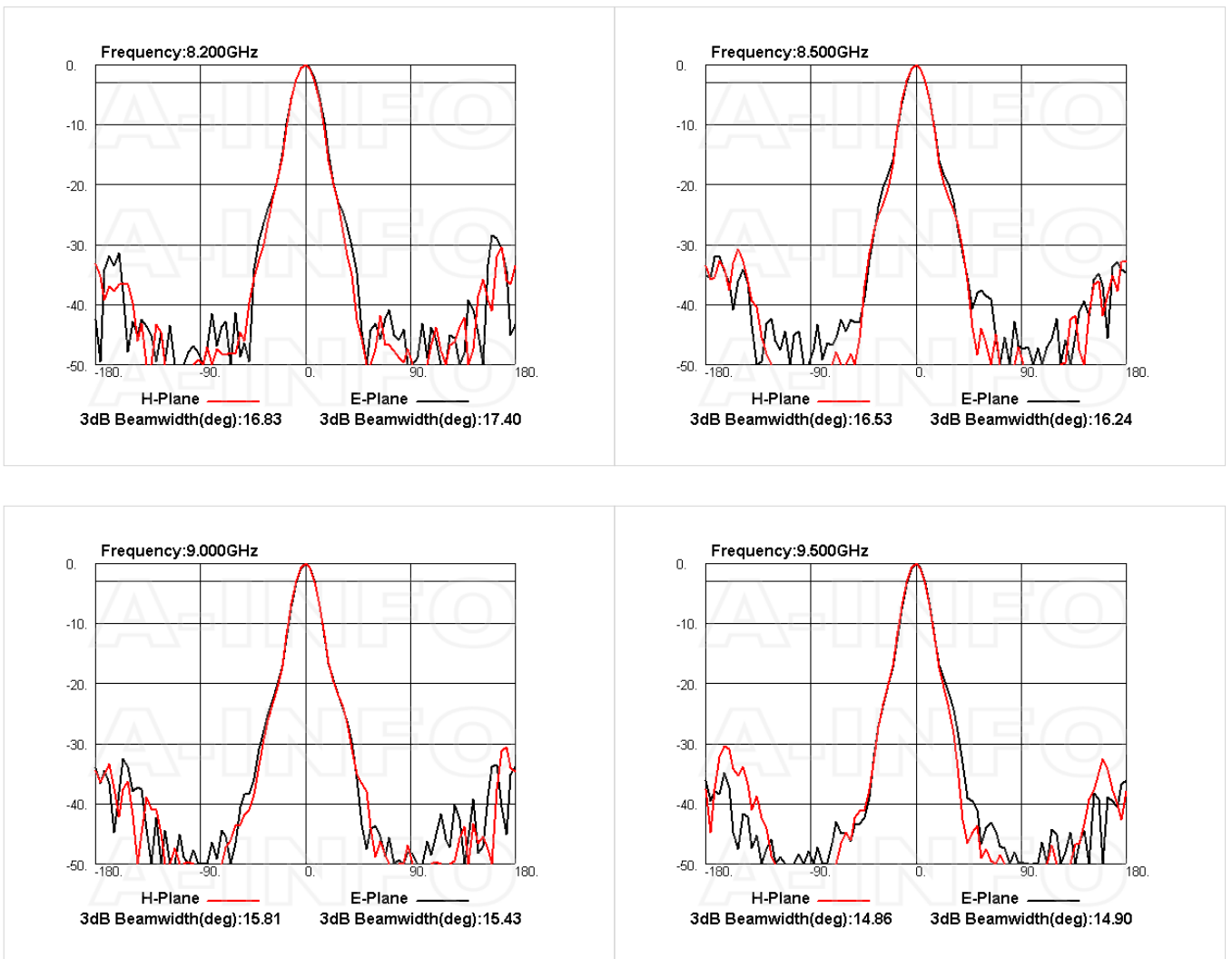
Cross Polarization Isolation

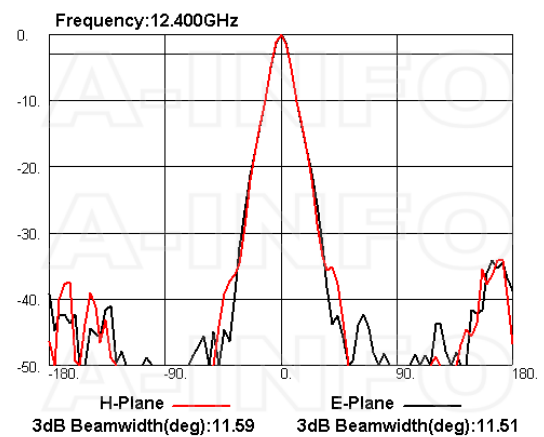
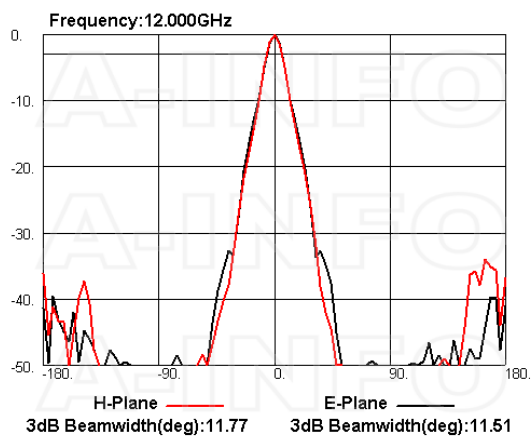
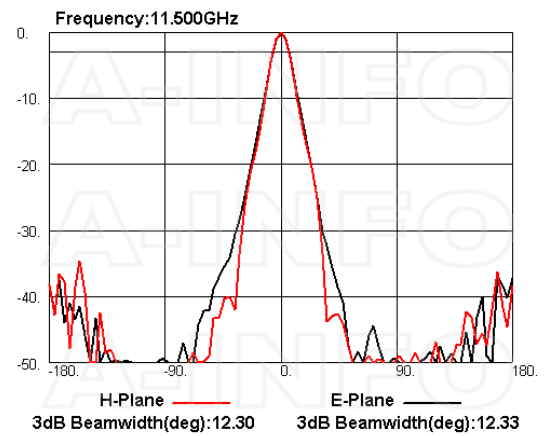
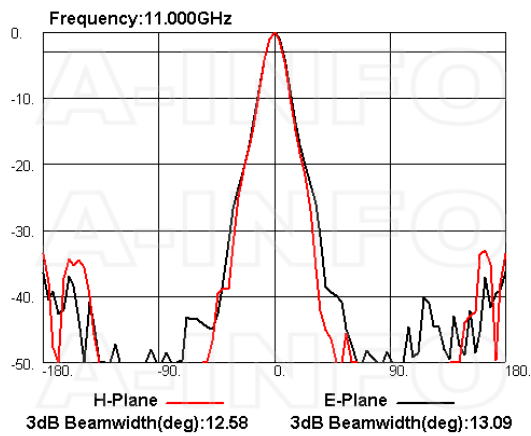
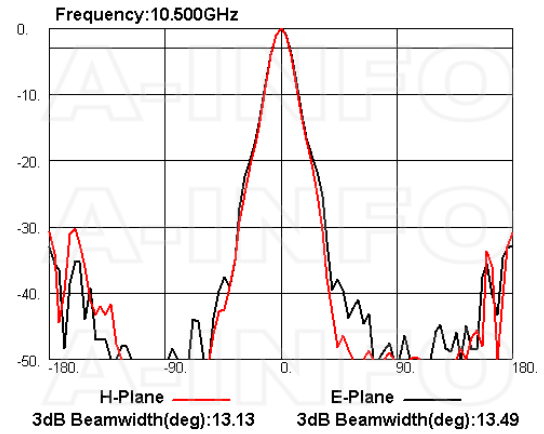
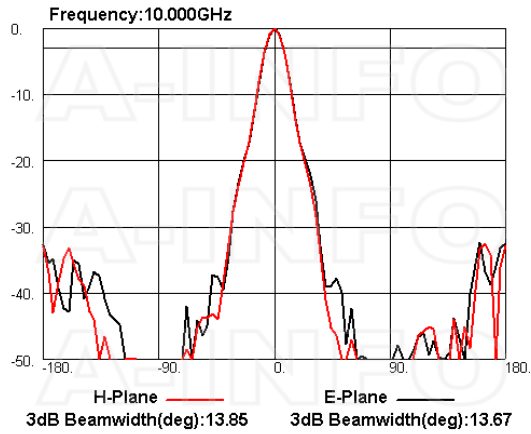


VSWR



Pattern





Related Products



LB-DG-90-20-MB Round Type Mounting Bracket



LB-DG-90-20-MBL L type mounting bracket



Tripod_15Kg Al Alloy Tripod



3033HL Wooden Tripod



3033QM Wooden Tripod Metalfree



NM-NM-A050-1000 Flexible Cable Assembly 1000mm DC-18GHz N Male to N Male



NM-NM-A050-1500 Flexible Cable Assembly 1500mm DC-18GHz N Male to N Male



NM-NM-A050-2000 Flexible Cable Assembly 2000mm DC-18GHz N Male to N Male



NM-NM-A050-3000 Flexible Cable Assembly 3000mm DC-18GHz N Male to N Male



NM-NM-A050-5000 Flexible Cable Assembly 5000mm DC-18GHz N Male to N Male



NM-NM-A050-10000 Flexible Cable Assembly 10000mm DC-18GHz N Male to N Male



NM-NM-A050-20000 Flexible Cable Assembly 20000mm DC-18GHz N Male to N Male



NM-NM-A100-500 Flexible Cable Assembly 500mm DC-18GHz N Male to N Male



NM-NM-A100-1000 Flexible Cable Assembly 1000mm DC-18GHz N Male to N Male



NM-NM-A100-1500 Flexible Cable Assembly 1500mm DC-18GHz N Male to N Male



NM-NM-A100-2000 Flexible Cable Assembly 2000mm DC-18GHz N Male to N Male



NM-NM-A100-3000 Flexible Cable Assembly 3000mm DC-18GHz N Male to N Male



NM-NM-A100-5000 Flexible Cable Assembly 5000mm DC-18GHz N Male to N Male



NM-NM-A100-10000 Flexible Cable Assembly 10000mm DC-18GHz N Male to N Male



NM-NM-A100-20000 Flexible Cable Assembly 20000mm DC-18GHz N Male to N Male

Similar Products



LB-DG-90-20-A WR90 Diagonal Horn Antenna 8.2-12.4GHz 20dB Gain Rectangular Waveguide Interface



LB-DG-90-20-C-SF WR90 Diagonal Horn Antenna 8.2-12.4GHz 20dB Gain SMA Female



LB-DG-90-20-C-TF WR90 Diagonal Horn Antenna 8.2-12.4GHz 20dB Gain TNC Female



LB-DG-90-20-C-7 WR90 Diagonal Horn Antenna 8.2-12.4GHz 20dB Gain 7mm



LB-DG-90-20-C-3.5F WR90 Diagonal Horn Antenna 8.2-12.4GHz 20dB Gain 3.5mm Female

About this Datasheet

<ul style="list-style-type: none"> ● Product Information Product Link: https://www.ainfoinc.com/lb-dg-90-20-c-nf-diagonal-horn-antenna-8-2-12-4-ghz-20db-gain-n-type-female Data subject to change without notice. © A-INFO INC. 2024. All Rights Reserved 	<ul style="list-style-type: none"> ● Contact Us Address: 60 Tesla, Irvine, CA 92618, USA Website: www.ainfoinc.com Email: sales@ainfoinc.com 	<ul style="list-style-type: none"> ● Phone & Fax Phone: +1-949-639-9688 +1-949-639-9608 Fax: +1-949-639-9670
---	--	---