

For reference only. See data sheet for the detailed specifications.

## Technical Specification



| <i>P/N:DS-50400</i>  |                         |
|----------------------|-------------------------|
| Frequency Range(GHz) | 0.5 - 4.0               |
| Gain(dBi)            | 7 Typ.                  |
| Polarization         | Linear                  |
| 3dB Beamwidth(deg)   | E Plane: 68 - 32        |
|                      | H Plane: 131 - 83       |
| VSWR                 | 2.0:1 Typ. / 3.0:1 Max. |
| Output               | N-Female                |
| Average Power(W CW)  | 300 (100 @ 4.0GHz)      |
| Peak Power(KW)       | 3                       |
| Material             | Al                      |
| Size(mm)             | 355 x 51 x 337          |
| Net Weight(Kg)       | 0.41 Around             |



| <i>P/N:DS-50400C</i> |                         |
|----------------------|-------------------------|
| Frequency Range(GHz) | 0.5 - 4.0               |
| Gain(dBi)            | 7 Typ.                  |
| Polarization         | Linear                  |
| 3dB Beamwidth(deg)   | E Plane: 68 - 32        |
|                      | H Plane: 131 - 83       |
| VSWR                 | 2.0:1 Typ. / 3.0:1 Max. |
| Output               | N-Female                |
| Average Power(W CW)  | 300 (100 @ 4.0GHz)      |
| Peak Power(KW)       | 3                       |
| Material             | Al                      |
| Size(mm)             | 355 x 100 x 329         |
| Net Weight(Kg)       | 0.57 Around             |



| <i>P/N:DS-50400E</i> |                         |
|----------------------|-------------------------|
| Frequency Range(GHz) | 0.5 - 4.0               |
| Gain(dBi)            | 7 Typ.                  |
| Polarization         | Linear                  |
| 3dB Beamwidth(deg)   | E Plane: 68 - 32        |
|                      | H Plane: 131 - 83       |
| VSWR                 | 2.0:1 Typ. / 3.0:1 Max. |
| Output               | N-Female                |
| Average Power(W CW)  | 300 (100 @ 4.0GHz)      |
| Peak Power(KW)       | 3                       |
| Material             | Al                      |
| Size(mm)             | 355 x 48 x 550          |
| Net Weight(Kg)       | 0.70 Around             |

**AINFO Inc.**

Page 1 of 7

China(Beijing):  
China(Chengdu):  
USA :

Tel: (+86) 10-6266-7326,  
Tel: (+86) 28-8519-2786,  
Tel: (+1) 949-639-9688,

(+86) 10-6266-7327  
(+86) 28-8519-3044  
(+1) 949-639-9608

Fax: (+86) 10-6266-7379  
Fax: (+86) 28-8519-3068  
Fax: (+1) 949-639-9670

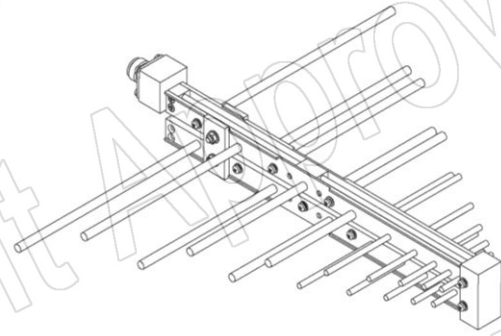
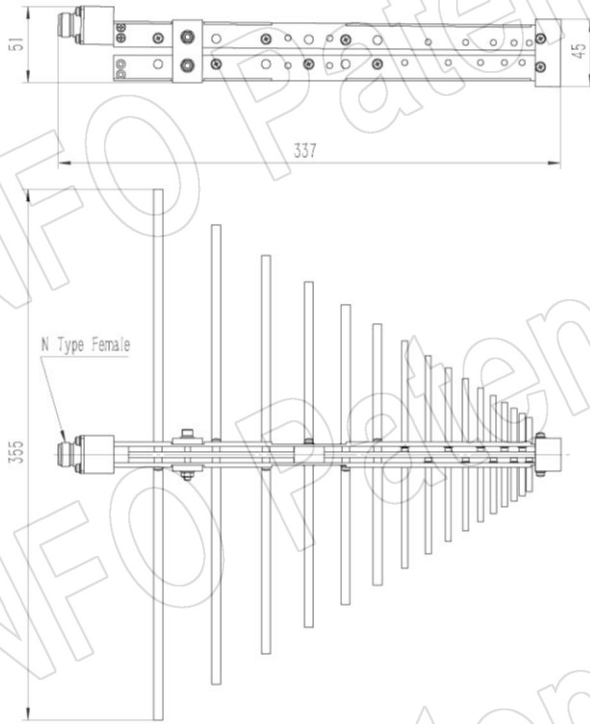
Website: [www.ainfoinc.com](http://www.ainfoinc.com)  
Email: [sales@ainfoinc.com](mailto:sales@ainfoinc.com)

PATENT ID (China)

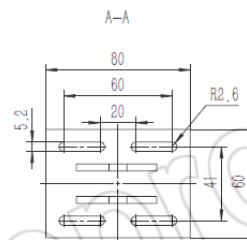
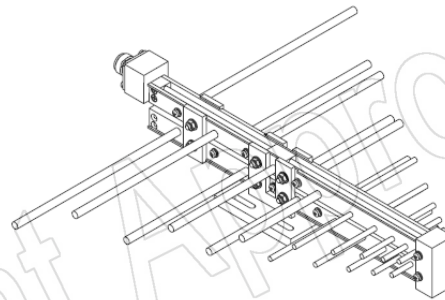
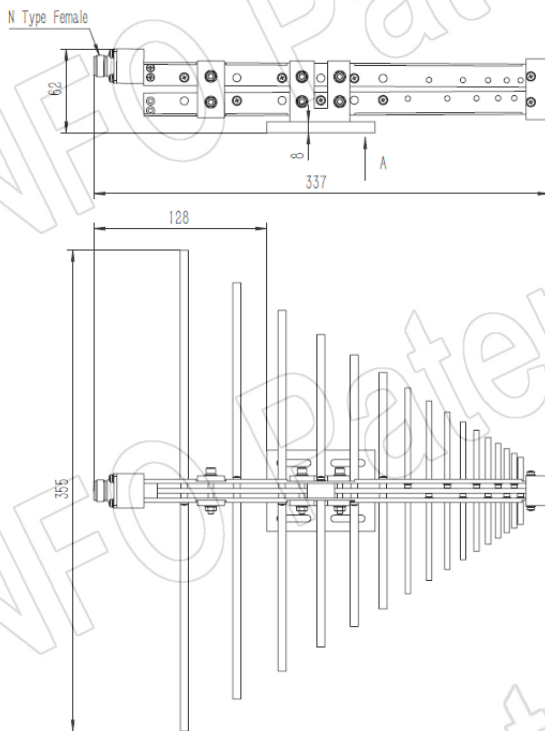
ZL201630454771.8

## Outline Drawing (Size: mm)

DS-50400 (P/N: DS-50400)



## DS-50400 with Mounting Bracket (Option, P/N: DS-50300-MB)



AINFO Inc.

Page 2 of 7

China(Beijing):  
China(Chengdu):  
USA :

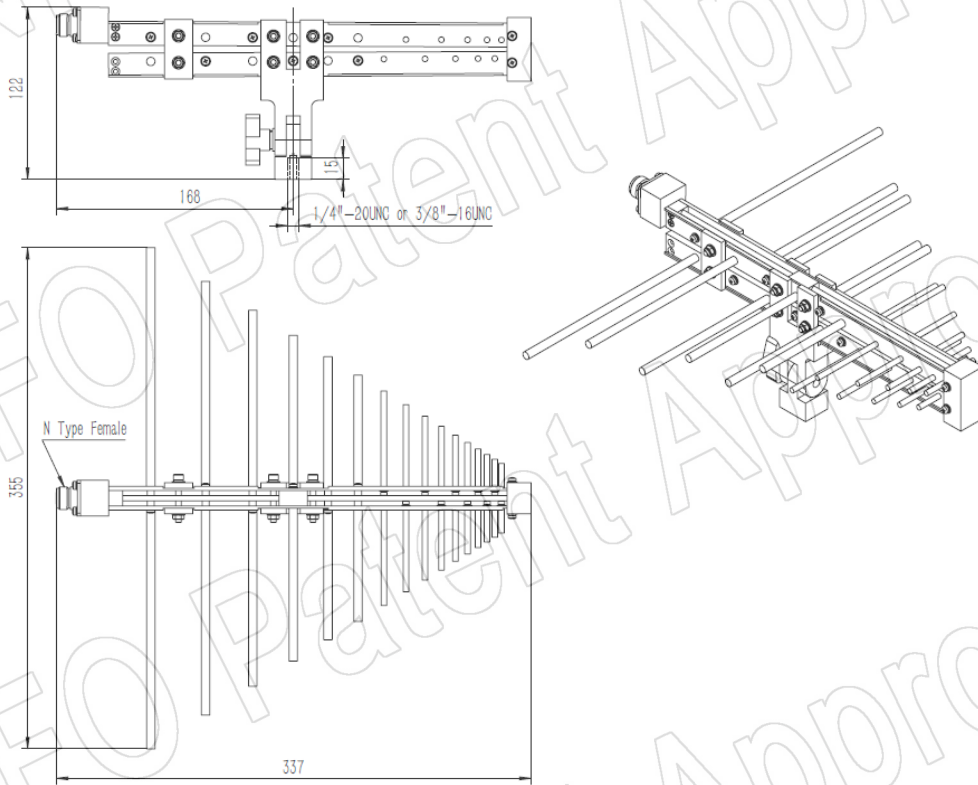
Tel: (+86) 10-6266-7326,  
Tel: (+86) 28-8519-2786,  
Tel: (+1) 949-639-9688,

(+86) 10-6266-7327  
(+86) 28-8519-3044  
(+1) 949-639-9608

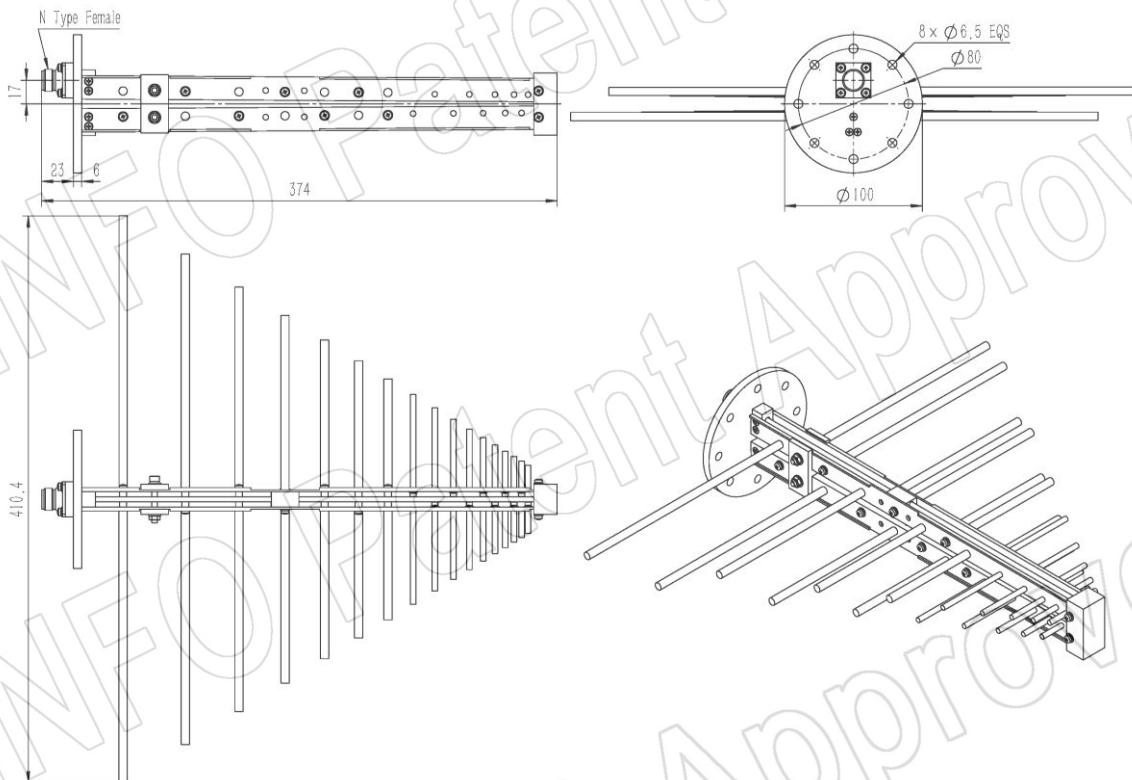
Fax: (+86) 10-6266-7379  
Fax: (+86) 28-8519-3068  
Fax: (+1) 949-639-9670

Website: [www.ainfoinc.com](http://www.ainfoinc.com)  
Email: [sales@ainfoinc.com](mailto:sales@ainfoinc.com)

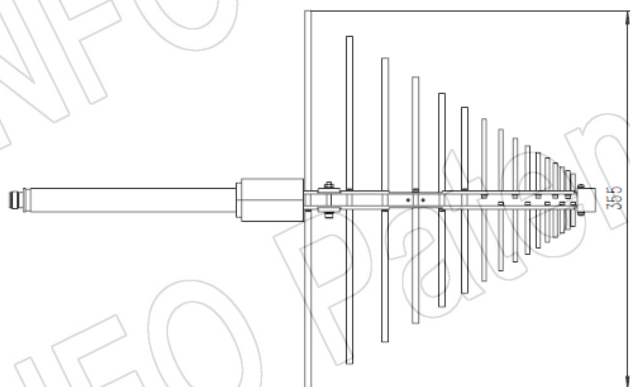
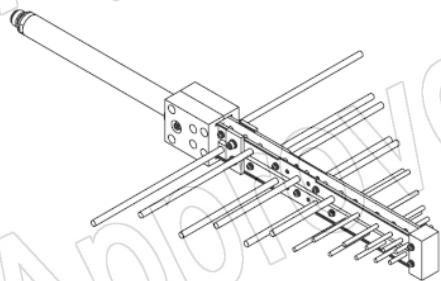
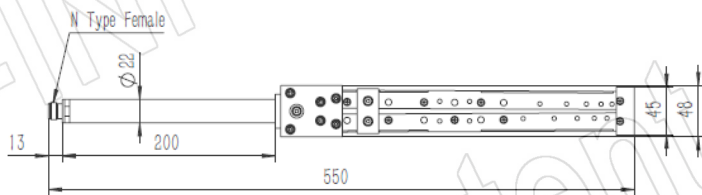
DS-50400 with Mounting Bracket for Tripod Application (Option, P/N: DS-50300-MBA)



DS-50400C (P/N: DS-50400C)



DS-50400E (P/N: DS-50400E)



AINFO Inc.

Page 4 of 7

China(Beijing):  
China(Chengdu):  
USA :

Tel: (+86) 10-6266-7326,  
Tel: (+86) 28-8519-2786,  
Tel: (+1) 949-639-9688,

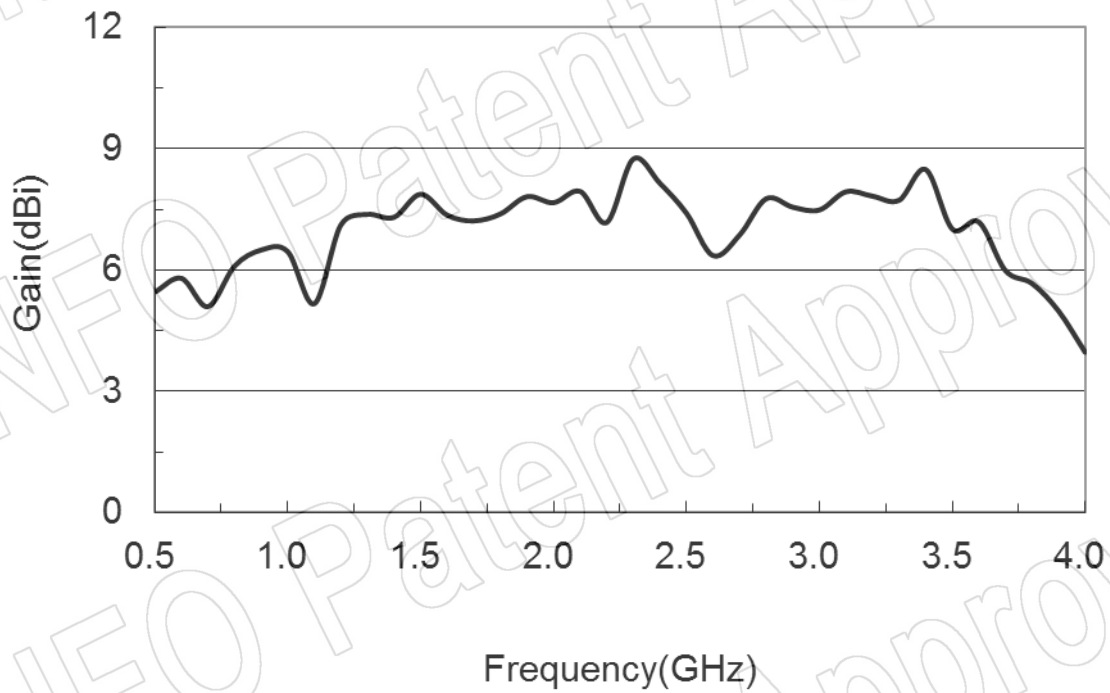
(+86) 10-6266-7327  
(+86) 28-8519-3044  
(+1) 949-639-9608

Fax: (+86) 10-6266-7379  
Fax: (+86) 28-8519-3068  
Fax: (+1) 949-639-9670

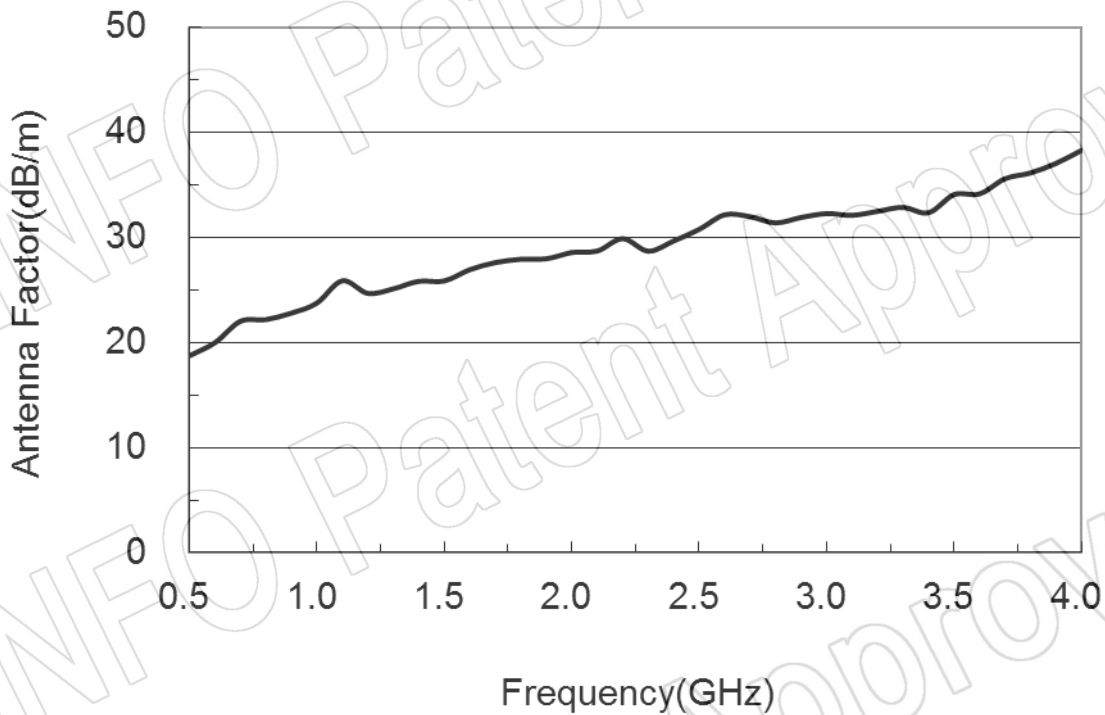
Website: [www.ainfoinc.com](http://www.ainfoinc.com)  
Email: [sales@ainfoinc.com](mailto:sales@ainfoinc.com)

## Test Results

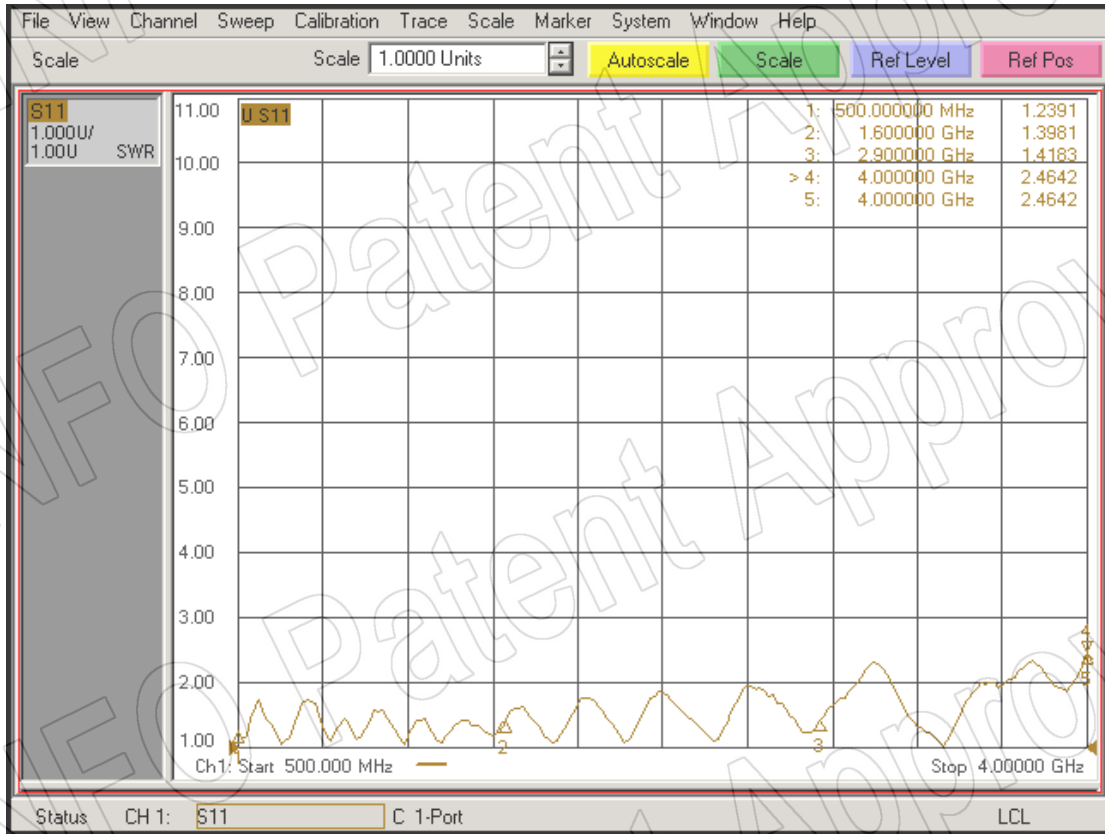
### 1. Gain



### 2. Antenna Factor



### 3. VSWR



### 4. Pattern

