

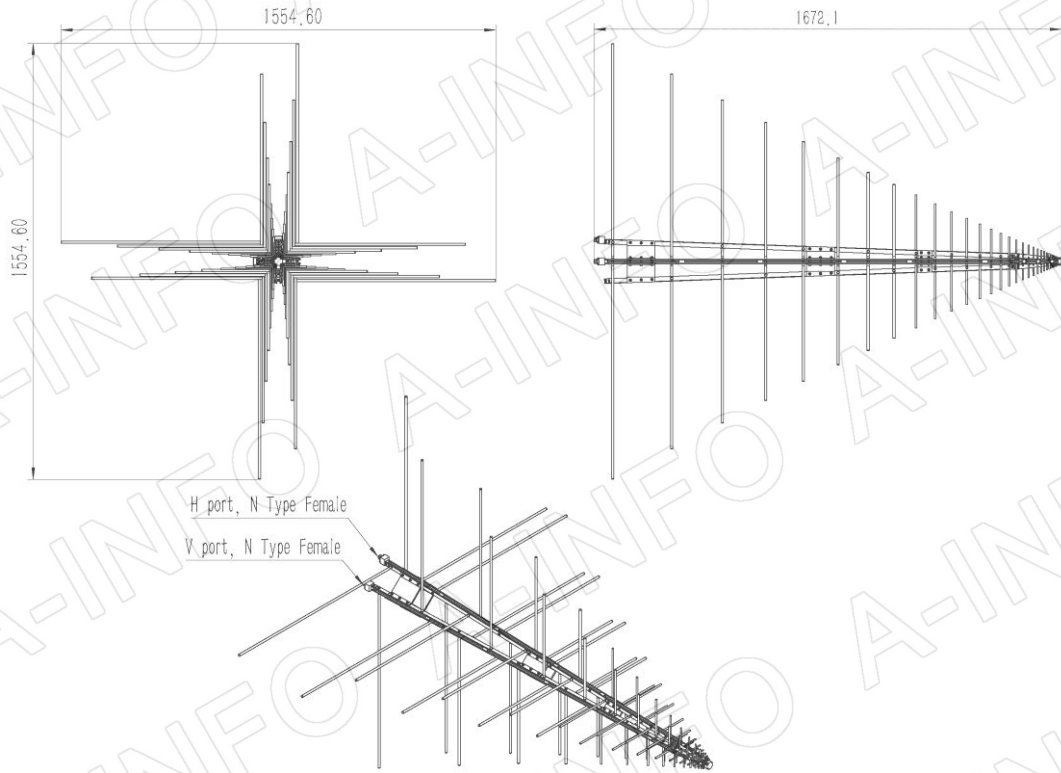
Technical Specification

<i>P/N: DS-SJ-10400</i>	
Frequency Range(GHz)	0.1 - 4.0
Gain(dBi)	7 Typ.
Polarization	Dual Pol.
3dB Beamwidth(deg)	E Plane: 80 - 25
	H Plane: 180 - 55
Cross Pol. Isolation(dB)	10 Typ. / 5 Min.
Port to Port Isolation(dB)	25 Typ. / 20 Min.
VSWR	2.0:1 Typ. / 3.0:1 Max.
Output	N-Female
Average Power(W CW)	300 (100 @ 4.0GHz)
Peak Power(KW)	3
Material	Al
Size(mm)	1554.6 x 1554.6 x 1672.1
Net Weight(Kg)	5.20 Around

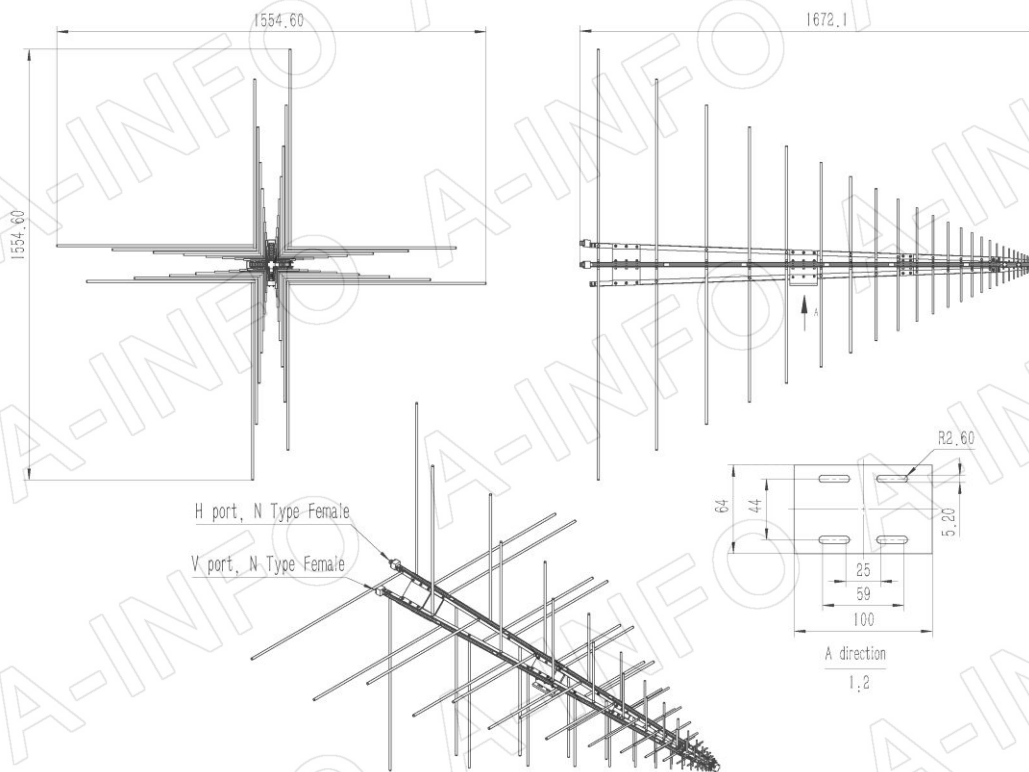
<i>P/N: DS-SJ-10400C</i>	
Frequency Range(GHz)	0.1 - 4.0
Gain(dBi)	7 Typ.
Polarization	Dual Pol.
3dB Beamwidth(deg)	E Plane: 80 - 25
	H Plane: 180 - 55
Cross Pol. Isolation(dB)	10 Typ. / 5 Min.
Port to Port Isolation(dB)	25 Typ. / 20 Min.
VSWR	2.5:1 Typ. / 3.5:1 Max.
Output	N-Female
Average Power(W CW)	300 (100 @ 4.0GHz)
Peak Power(KW)	3
Material	Al
Size(mm)	1554.6 x 1554.6 x 1666.6
Net Weight(Kg)	7.50 Around

Outline Drawing (Size: mm)

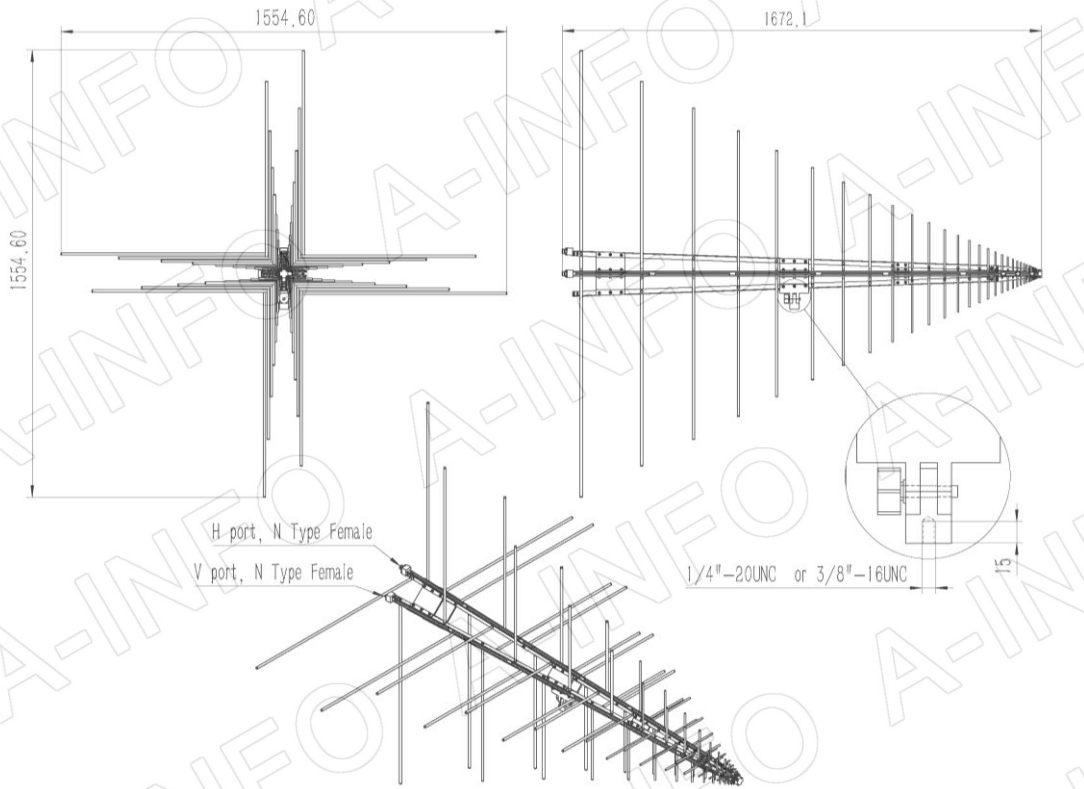
DS-SJ-10400 (P/N: DS-SJ-10400)



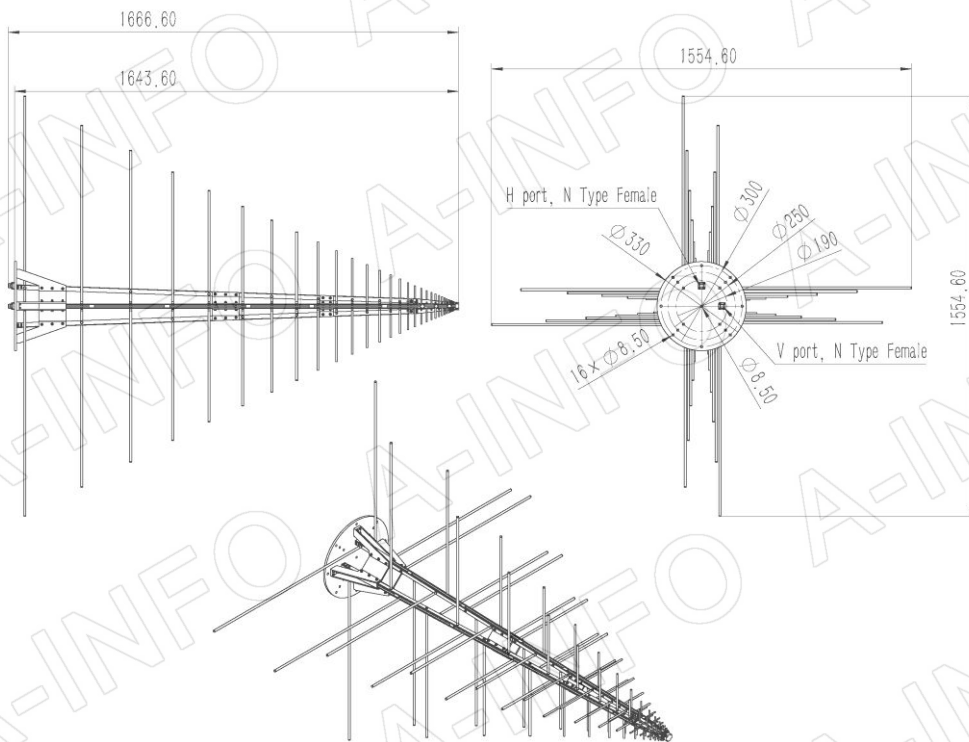
DS-SJ-10400 with Mounting Bracket (Option, P/N: DS-SJ-10200-MB)



DS-SJ-10400 with Mounting Bracket for Tripod Application (Option, P/N: D DS-SJ-10200-MBA)

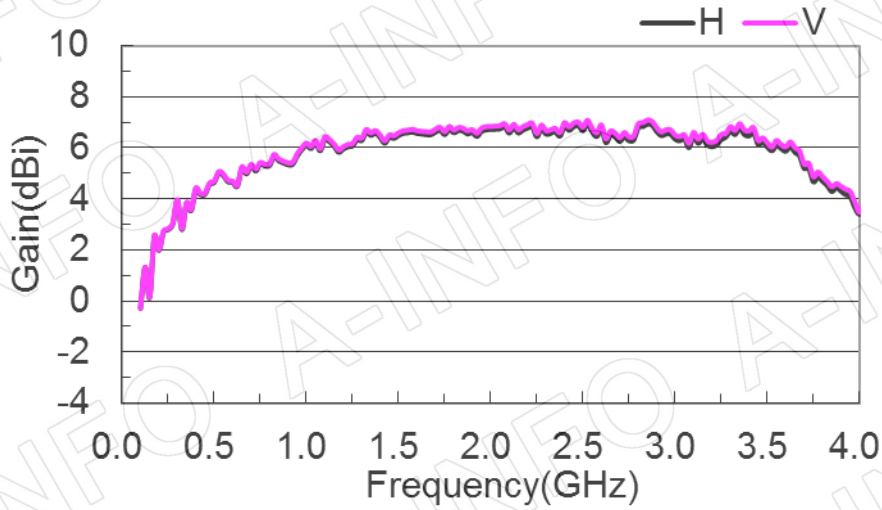


DS-SJ-10400C (P/N: DS-SJ-10400C)

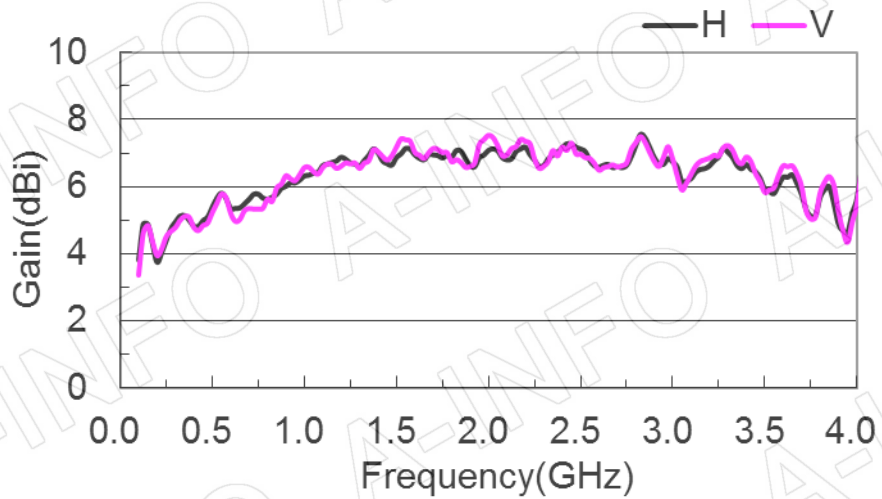


Test Results

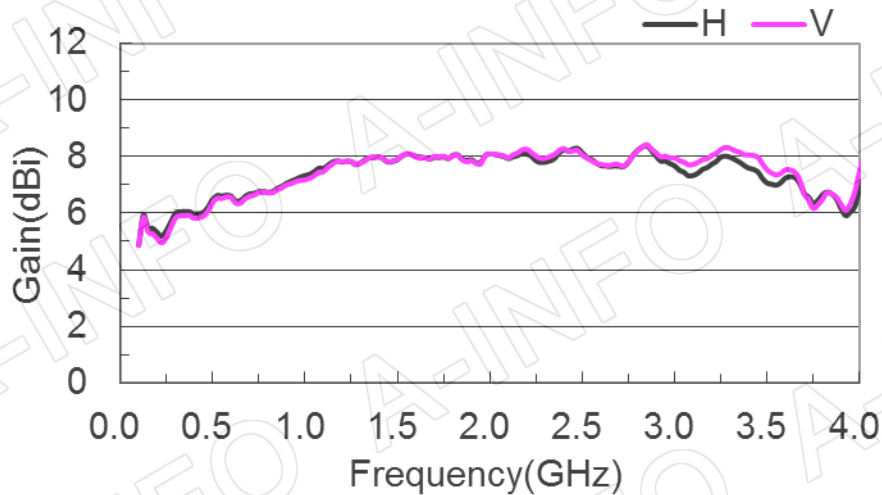
1. Gain at 1m



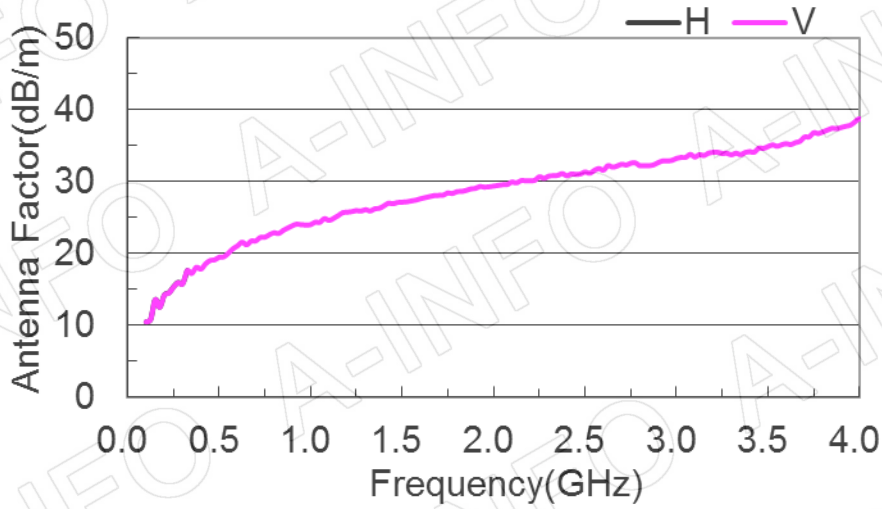
at 3m



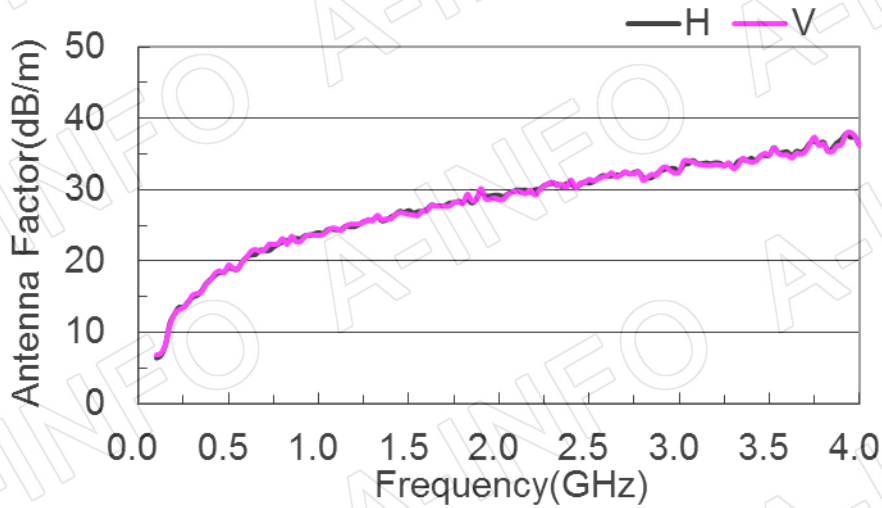
at 10m



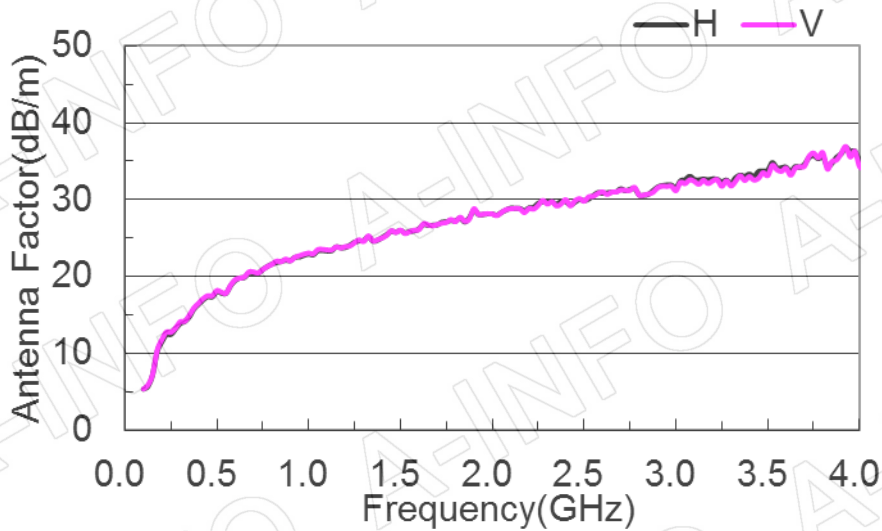
2. Antenna Factor at 1m



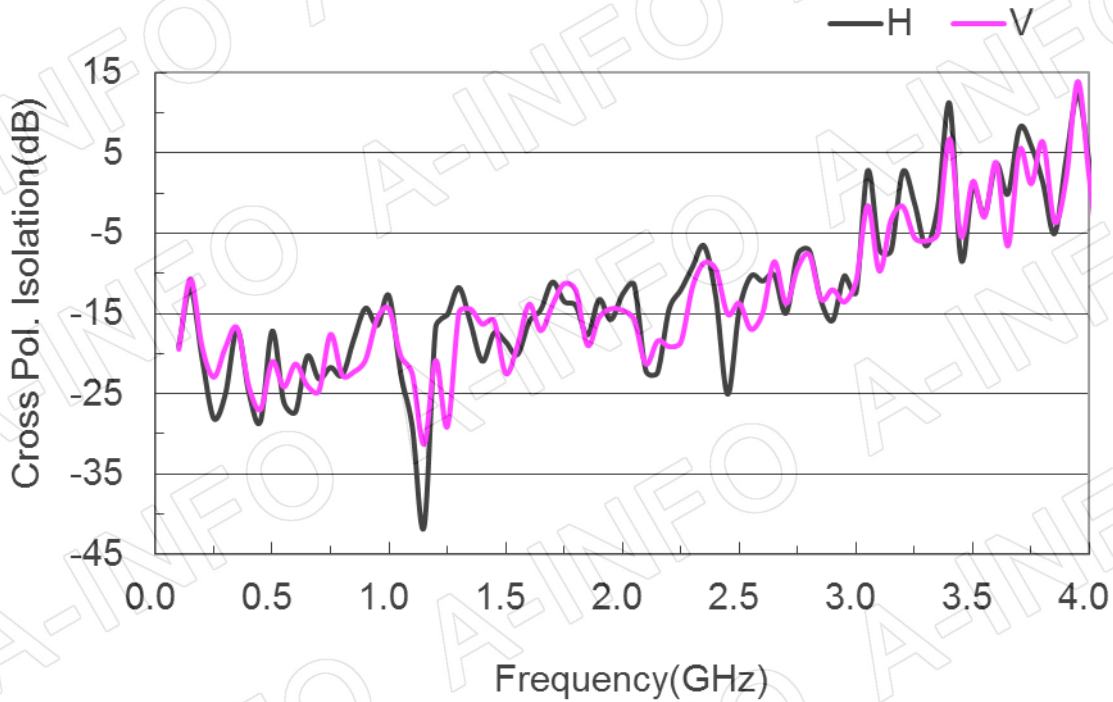
at 3m



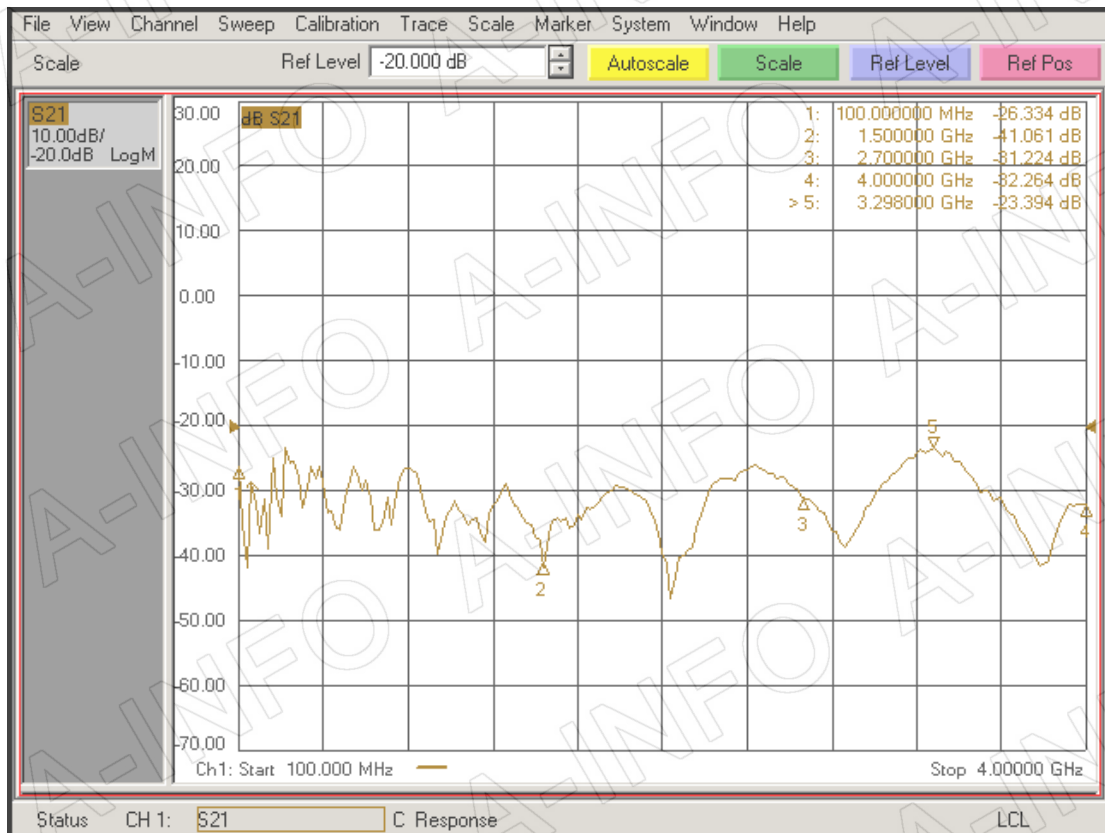
at 10m



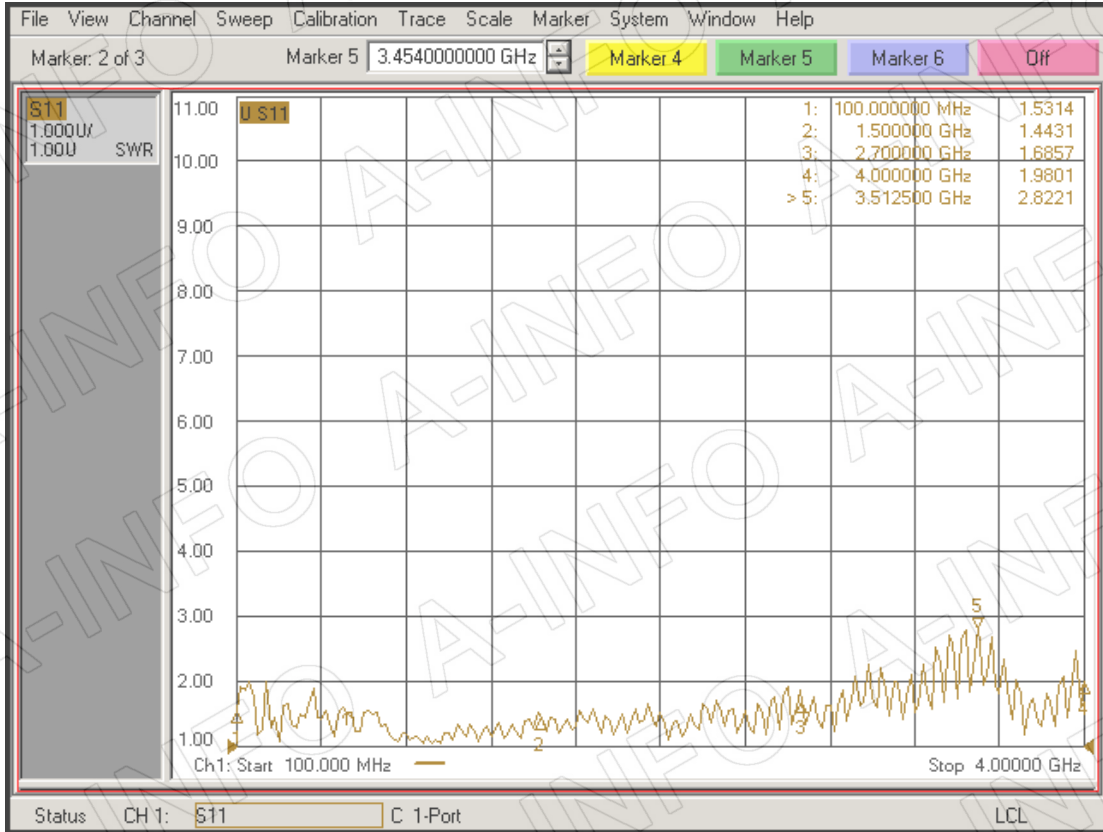
3. Cross Polarization Isolation



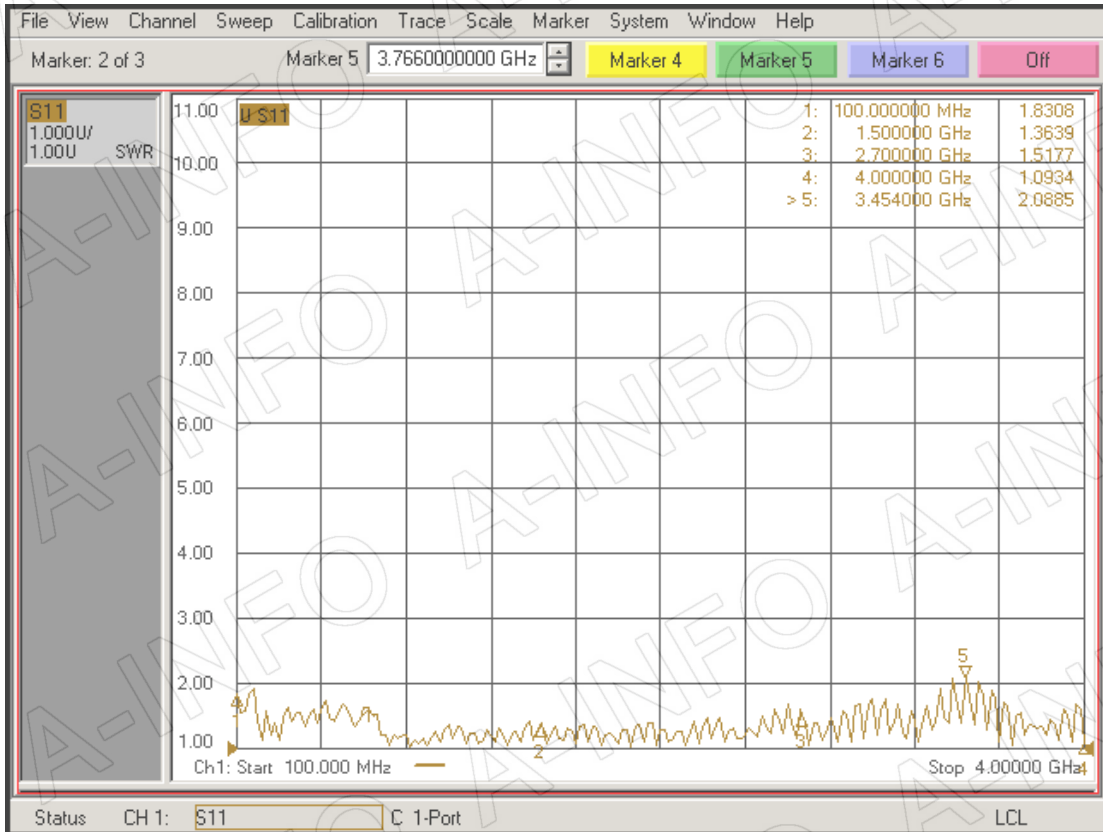
4. Port to Port Isolation



5. VSWR Port-H



Port-V



6. Pattern

